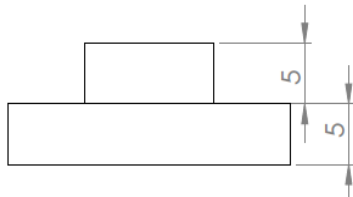
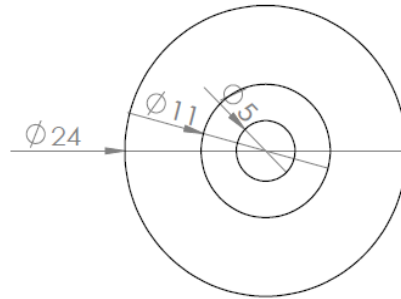
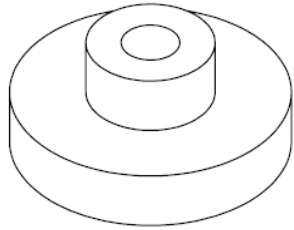
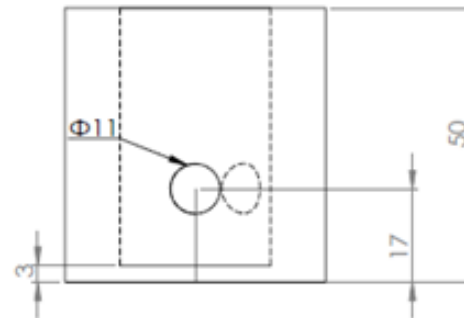
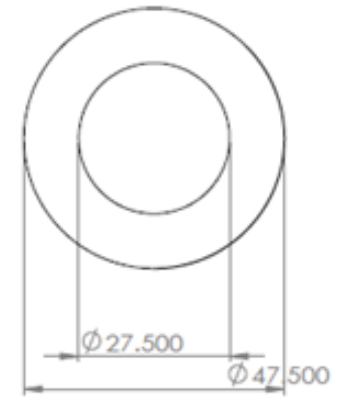


# Culture vial holder

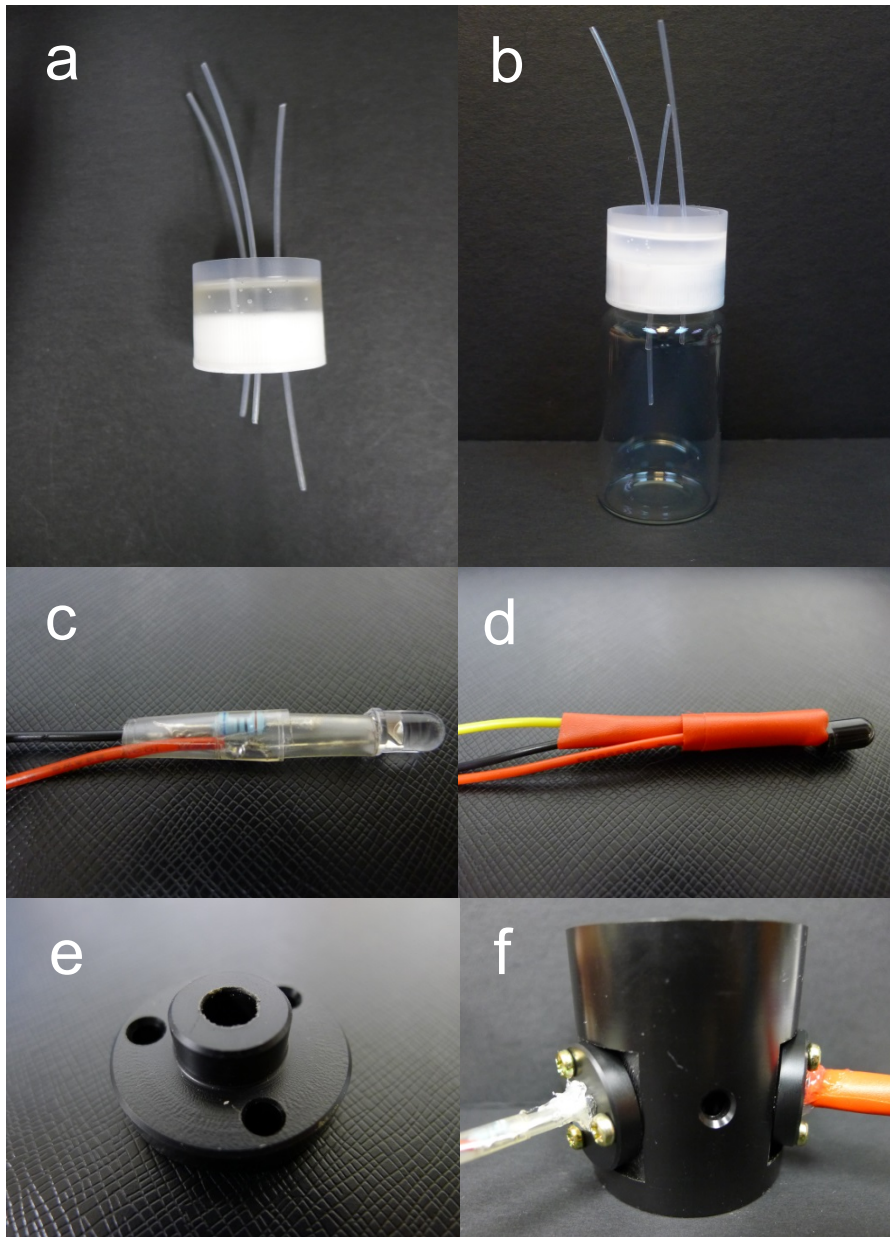
## Cap



## Main body



Unit:mm



### Supplementary Figure

a. Cap of the culture vial with silicone tubing attached and sealed with a block of PDMS.

b. Culture vial with the cap.

c. LED soldered with resistor and wires.

d. Photodetector soldered with resistor and wrapped in insulating tape.

e. Cap of the culture vial holder.

f. Main body of the culture vial holder with LED and photodetector.