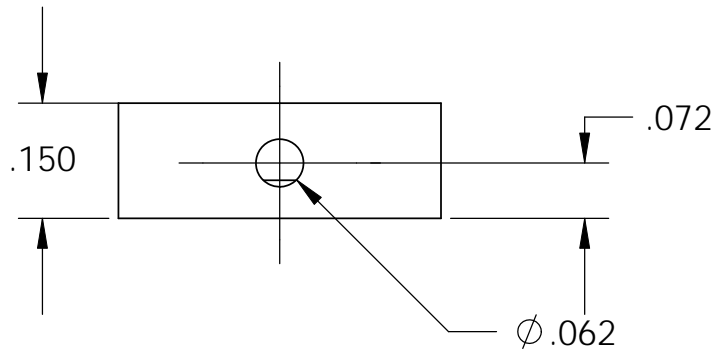
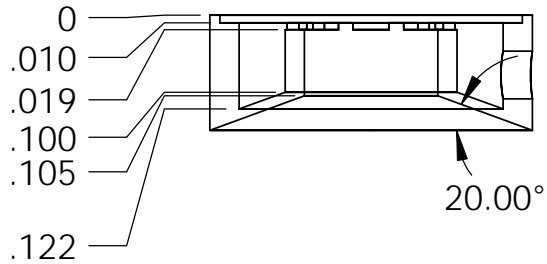
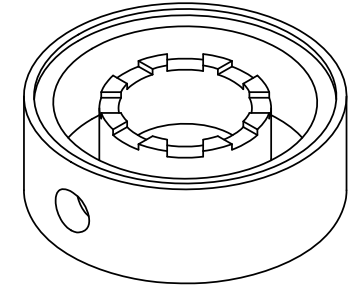
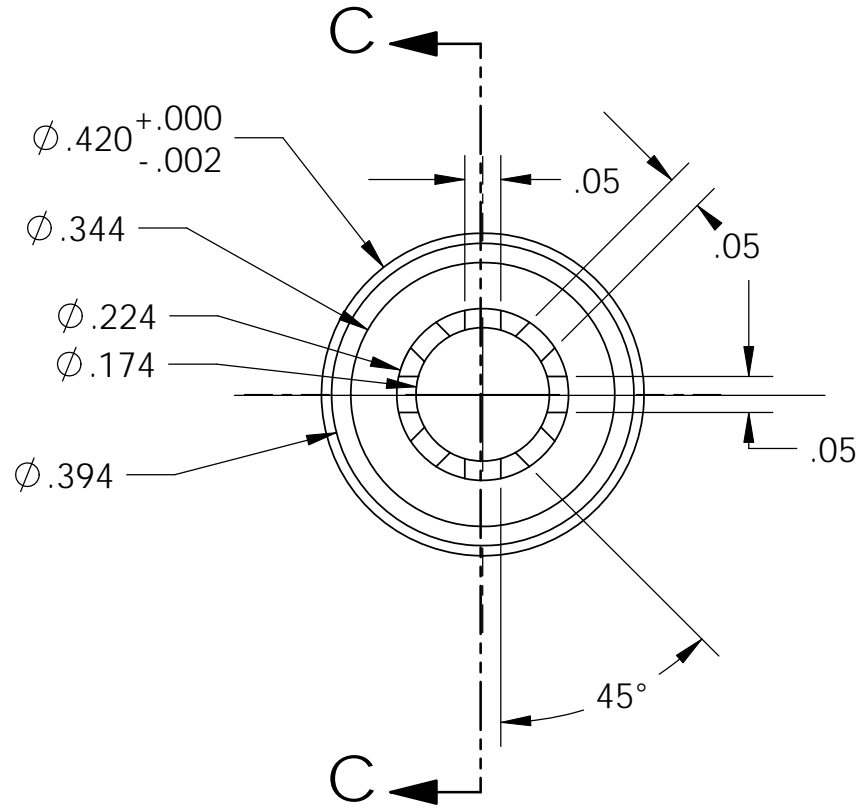


SECTION C-C



|  |   |          |           |            |   |          |      |
|--|---|----------|-----------|------------|---|----------|------|
| <p><b>PROPRIETARY AND CONFIDENTIAL</b></p> <p>THE INFORMATION CONTAINED IN THIS DRAWING IS THE SOLE PROPERTY OF ALBERT EINSTEIN COLLEGE OF MEDICINE (AECOM). ANY REPRODUCTION IN PART OR AS A WHOLE WITHOUT THE WRITTEN PERMISSION OF AECOM IS PROHIBITED.</p> | <p>UNLESS OTHERWISE SPECIFIED:</p> <p>DIMENSIONS ARE IN INCHES</p> <p>TOLERANCES:</p> <p>FRACTIONAL <math>\pm 1/64</math></p> <p>ANGULAR: MACH <math>\pm 5^\circ</math></p> <p>BEND <math>\pm 5^\circ</math></p> <p>TWO PLACE DECIMAL <math>\pm .01</math></p> <p>THREE PLACE DECIMAL <math>\pm .001</math></p> | MATERIAL | DRAWN BY: | DATE:      | <p><b>Albert Einstein College of Medicine</b></p> |          |      |
|  |   | Delrin   | Dave E.   | 5/3/2013   |   |          |      |
|  |   | FINISH   | TITLE:    |            | SIZE  | DWG. NO. | REV. |
| None   | Vacuum Window   |          | <b>A</b>  | VaW001     | E   |          |      |
| BREAK EDGES .1-2   |   | QTY: 4   |           | SCALE: 4:1 | SHEET 1 OF 1                                      |          |      |