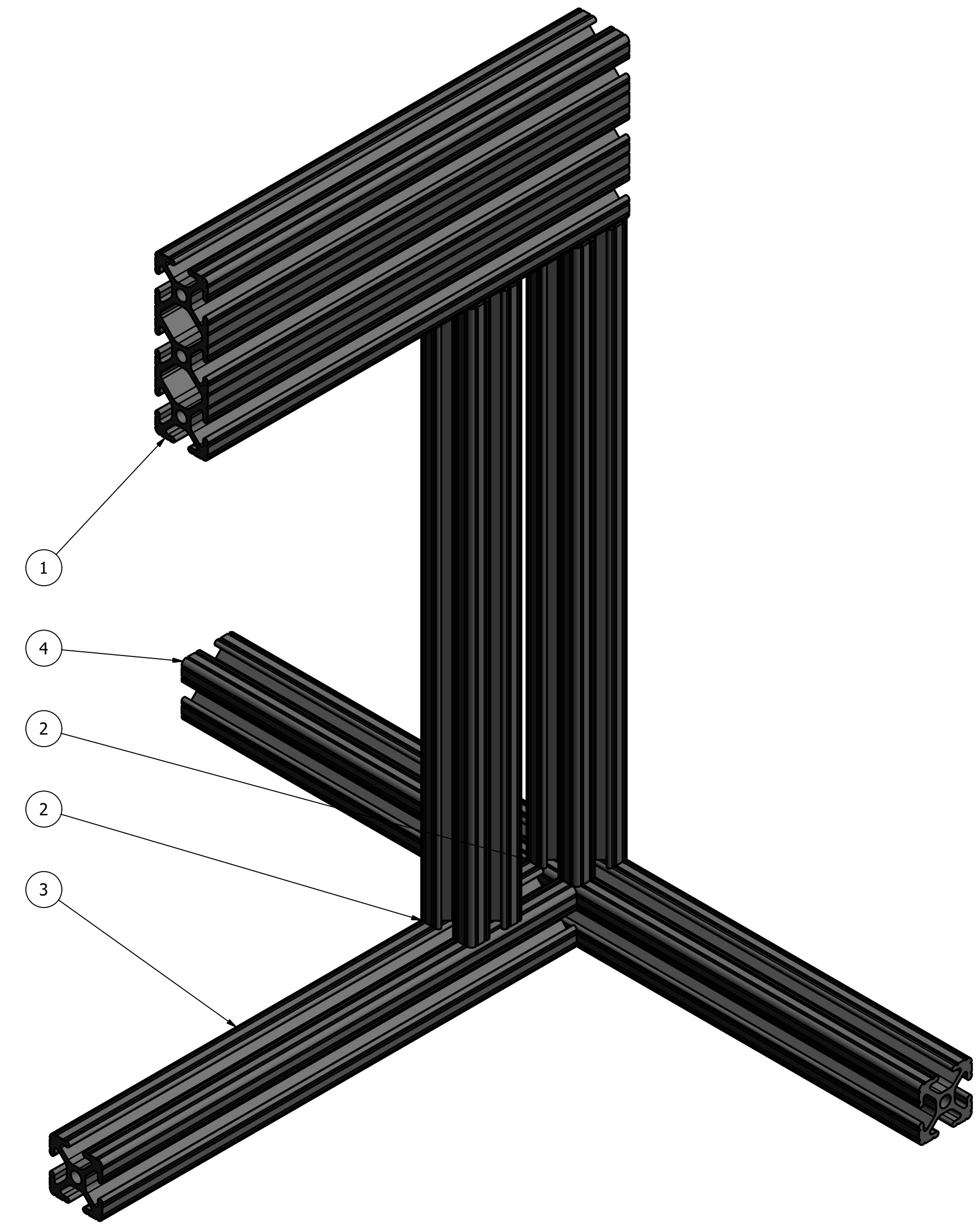
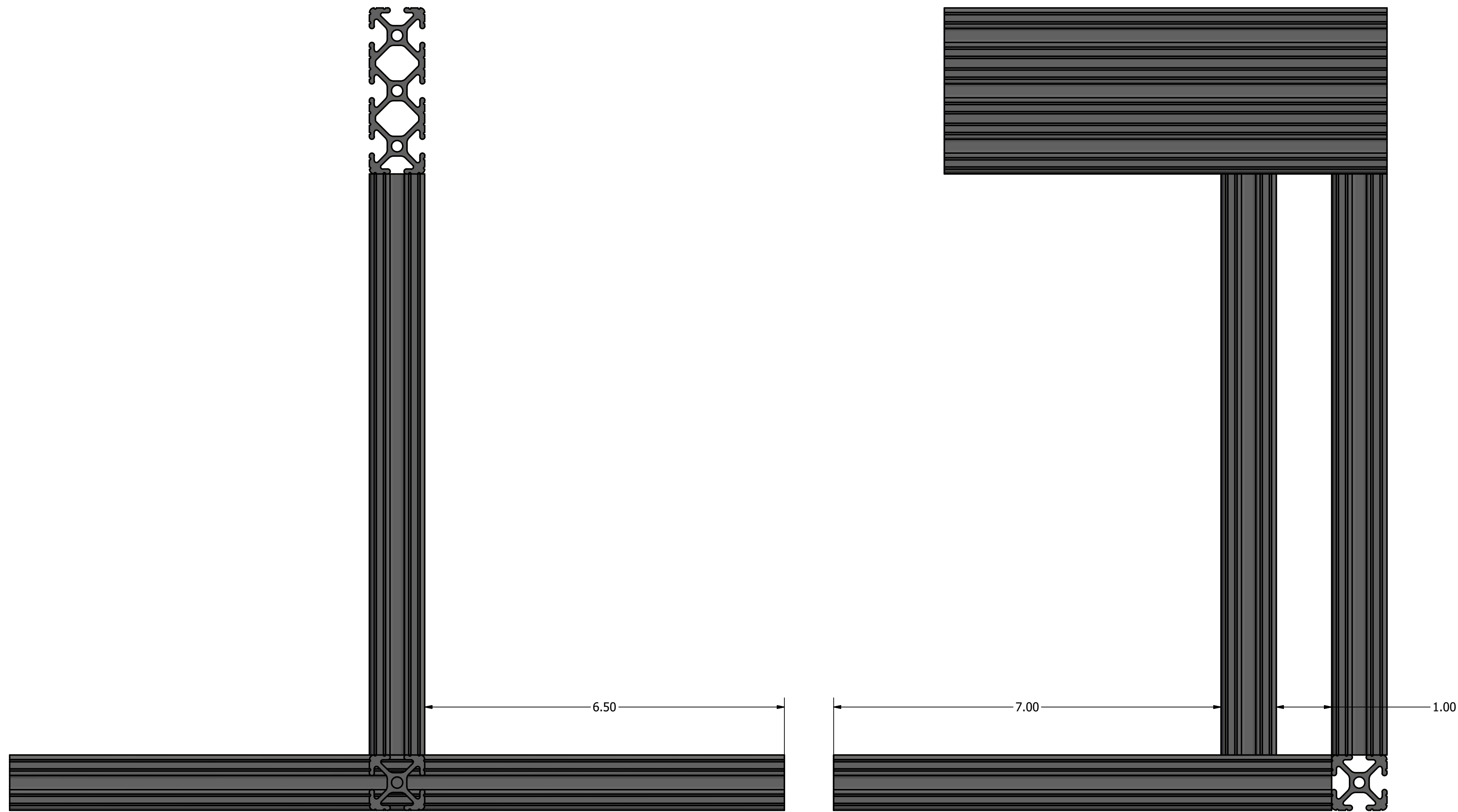


Support Subassembly



PARTS LIST			
ITEM	QTY	PART NUMBER	DESCRIPTION
1	1	RLZ1001	Beam, Support--Plate Mount
3	1	RLZ1002	Beam, Support--Jaw Section
4	1	RLZ1003	Beam, Support--Horizontal Section
2	2	RLZ1004	Beam, Support--Vertical

DIMENSIONS ARE IN INCHES		AUTHOR	DATE
UNLESS OTHERWISE SPECIFIED, TOLERANCES ARE:		Robert Zondervan	5/3/2018
NO DECIMAL PLACE: +/- 0.50		TITLE	
ONE DECIMAL PLACE: +/- 0.25		Support Subassembly	
TWO DECIMAL PLACE: +/- 0.10		PROJECT	
ANGULAR: +/- 5°		JOVE - Fracture Apparatus Design and Protocol Optimization	
FIGURE	S1	SCALE	3 / 4
		SHEET	1