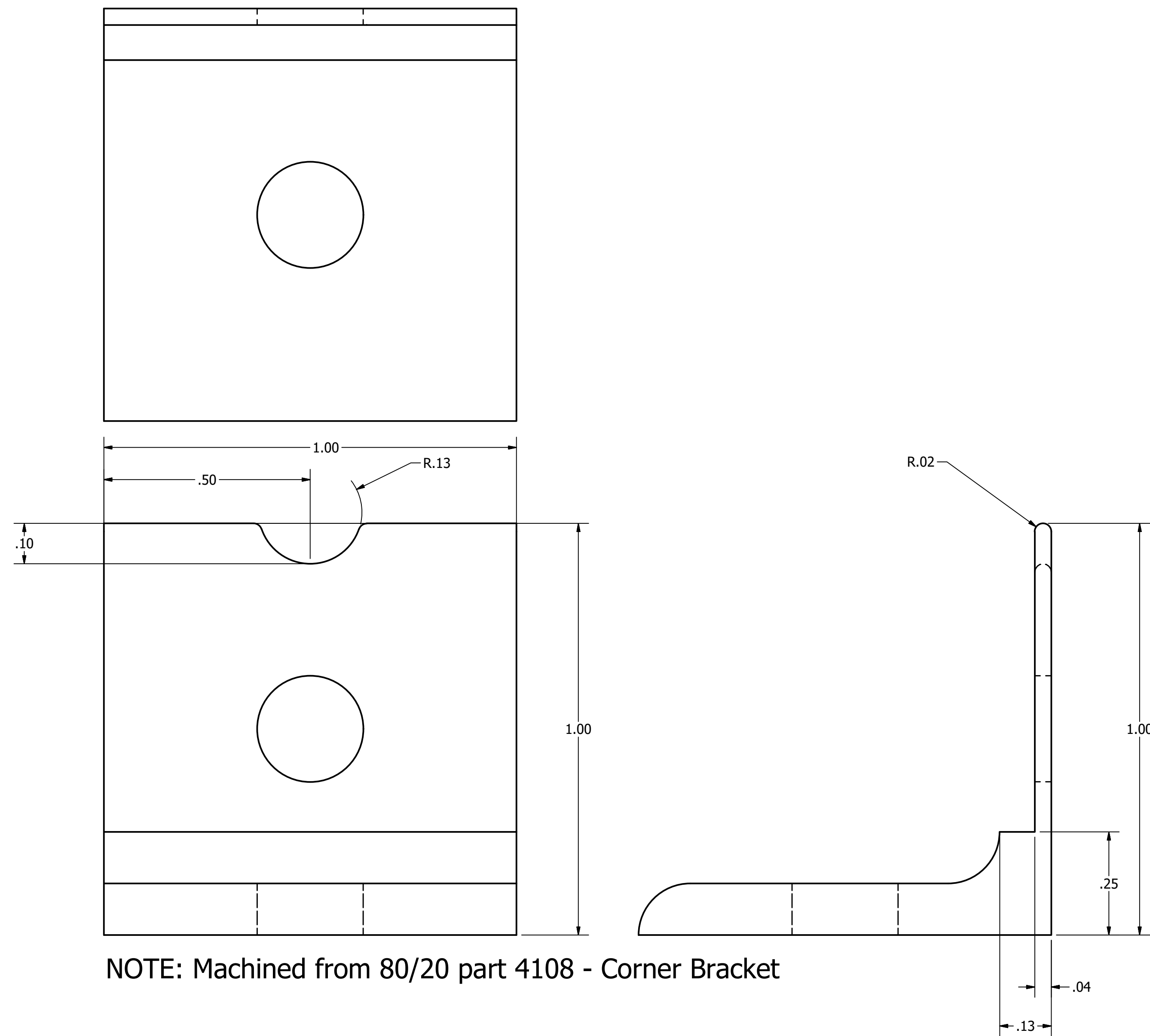


Bracket, Leg Jaw



NOTE: Machined from 80/20 part 4108 - Corner Bracket

DIMENSIONS ARE IN INCHES UNLESS OTHERWISE SPECIFIED, TOLERANCES ARE: NO DECIMAL PLACE: +/- 0.50 ONE DECIMAL PLACE: +/- 0.25 TWO DECIMAL PLACE: +/- 0.10 ANGULAR: +/- 5°	AUTHOR	DATE
	Robert Zondervan	5/3/2018
	TITLE	
	Bracket, Leg Jaw	
PROJECT		
JOVE - Fracture Apparatus Design and Protocol Optimization		
FIGURE	SCALE	SHEET
S10	5 : 1	10