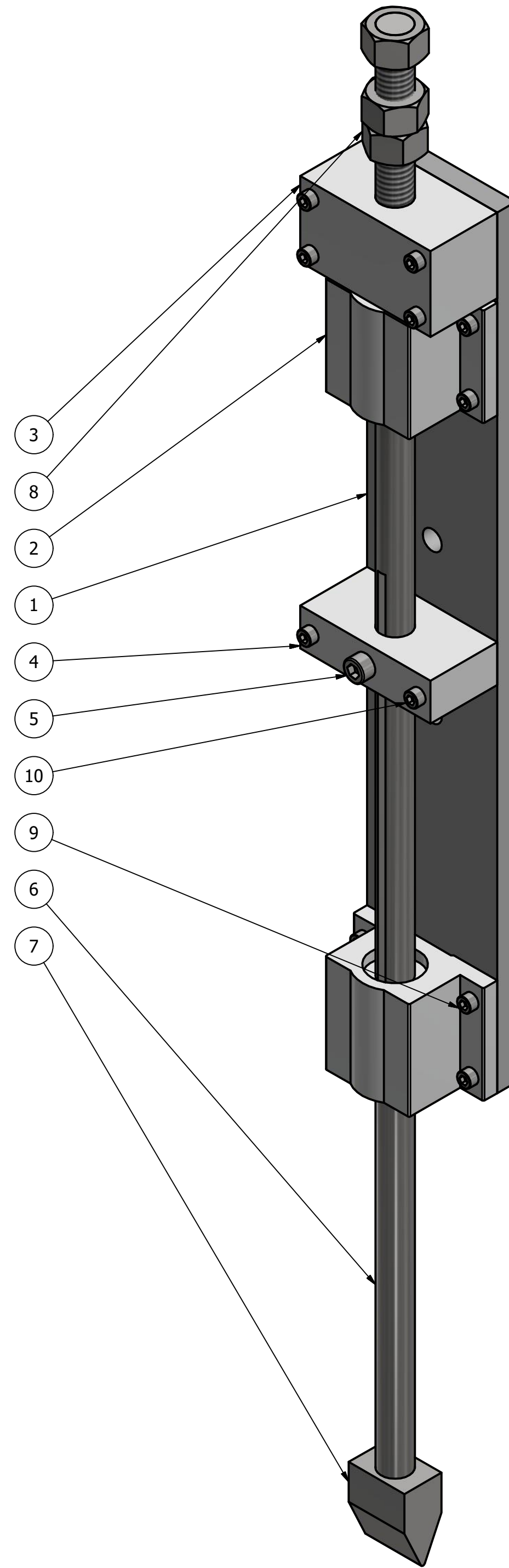
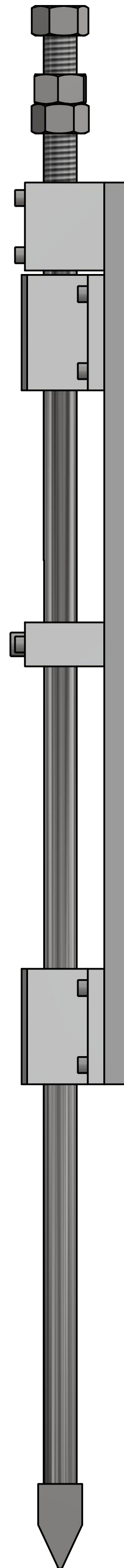
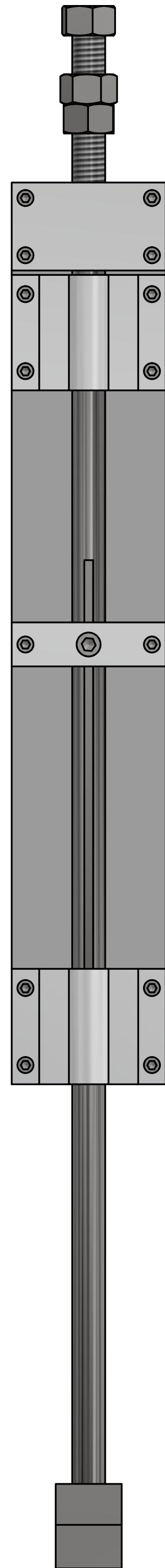


Ram Subassembly



PARTS LIST			
ITEM	QTY	PART NUMBER	DESCRIPTION
2	2	8649T2	Linear Sleeve Bearing
10	6	ANSI B18.3 - No. 4	4/40 x 1 1/8"
9	8	ANSI B18.3 - No. 4	4/40 x 3/8"
5	1	ANSI B18.3 - No. 4	10/32 1/ 1/4"
8	3	AS 2465 - 3/8 UNC	3/8-16 UNC
4	1	RLZ005	Block, Guide
3	1	RLZ2001	Block, Stop
6	1	RLZ2002	Rod, Ram
1	1	RLZ2003	Plate, Mounting
7	1	RLZ2004	Rod, Head--Impact

DIMENSIONS ARE IN INCHES		AUTHOR	DATE
UNLESS OTHERWISE SPECIFIED, TOLERANCES ARE:		Robert Zondervan	5/3/2018
NO DECIMAL PLACE: +/- 0.50		TITLE	
ONE DECIMAL PLACE: +/- 0.25		Ram Subassembly	
TWO DECIMAL PLACE: +/- 0.10		PROJECT	
ANGULAR: +/- 5°		JOVE - Fracture Apparatus Design and Protocol Optimization	
FIGURE	SCALE	SHEET	
S2	1 : 1	2	