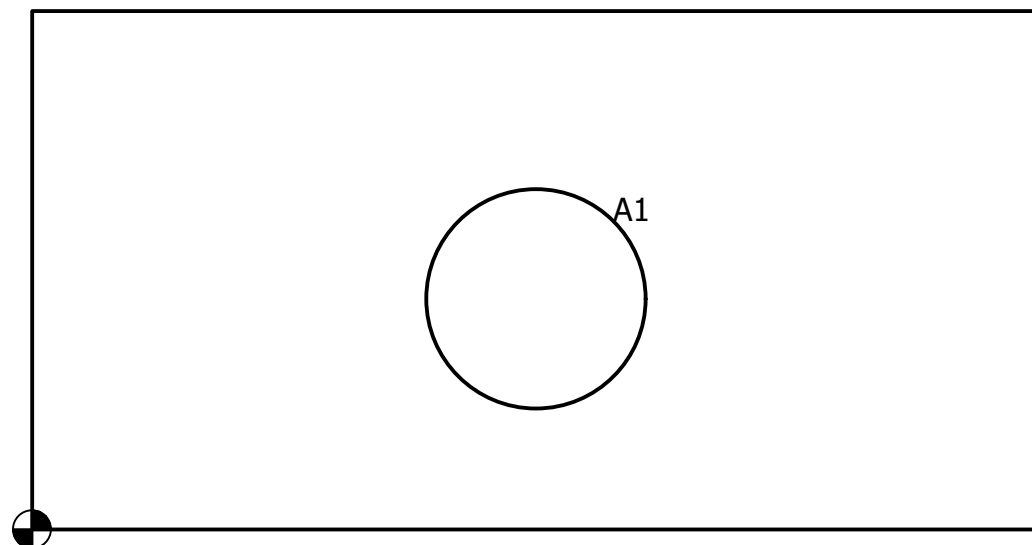
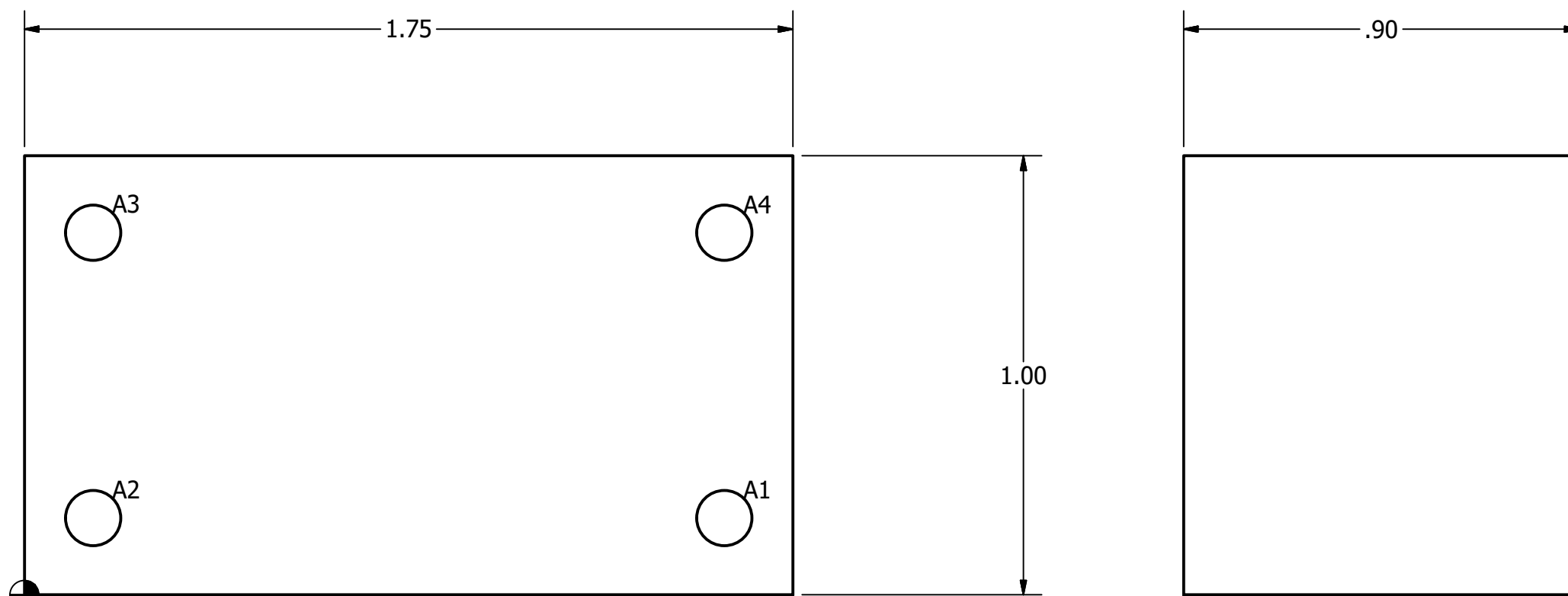


Block, Stop

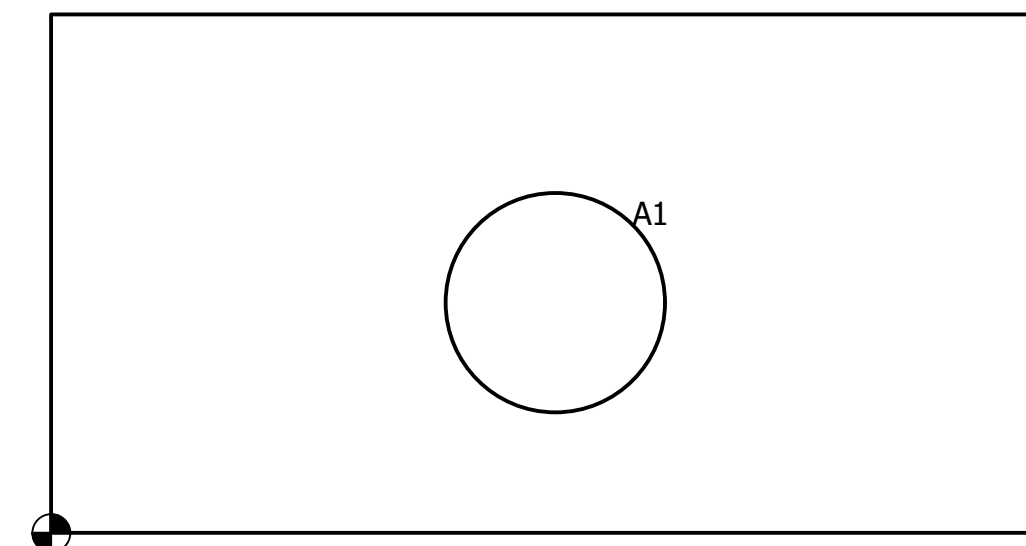


HOLE TABLE			
HOLE	XDIM	YDIM	DESCRIPTION
A1	.88	.40	Ø.38 ∇ 1.00

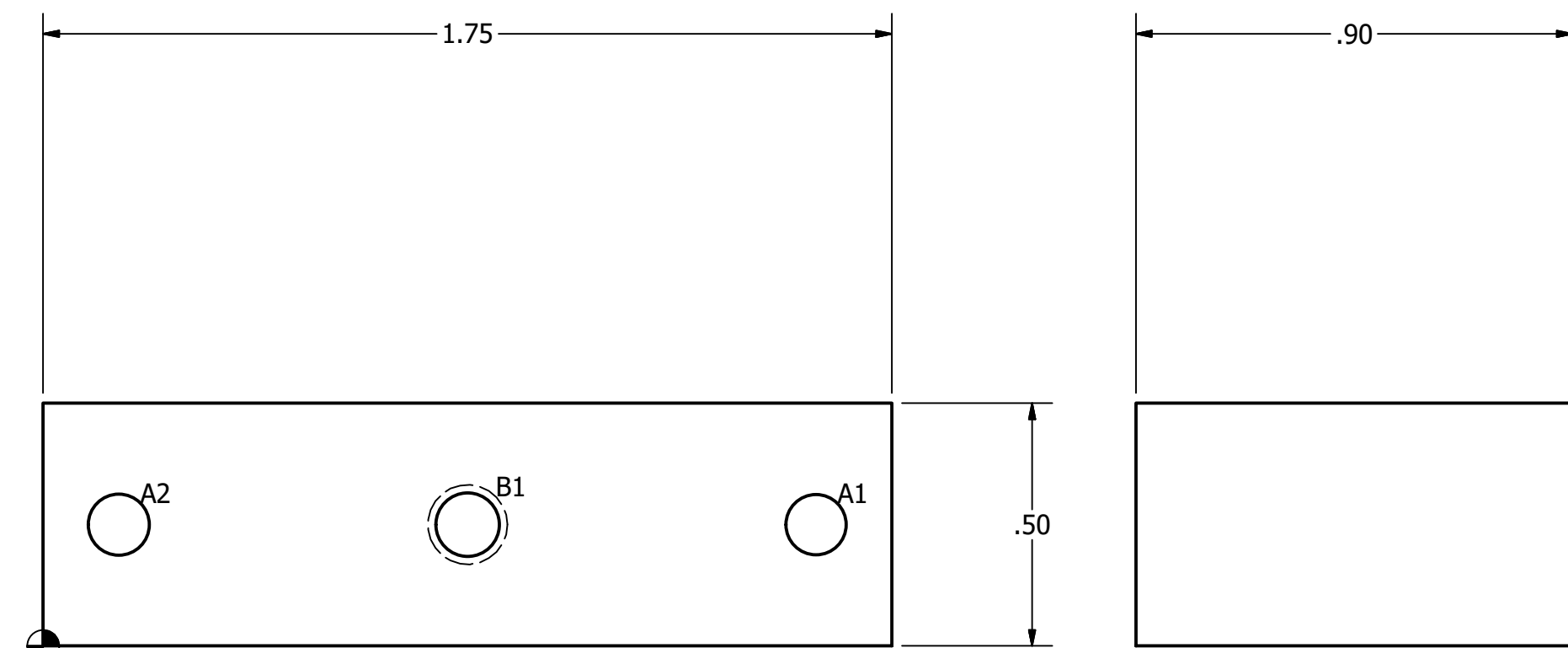


HOLE TABLE			
HOLE	XDIM	YDIM	DESCRIPTION
A1	1.59	.18	Ø.13 ∇ .90
A2	.16	.18	Ø.13 ∇ .90
A3	.16	.83	Ø.13 ∇ .90
A4	1.59	.83	Ø.13 ∇ .90

Block, Guide



HOLE TABLE			
HOLE	XDIM	YDIM	DESCRIPTION
A1	.88	.40	Ø.38 ∇ .75



HOLE TABLE			
HOLE	XDIM	YDIM	DESCRIPTION
A1	1.59	.25	Ø.13 ∇ .90
A2	.16	.25	Ø.13 ∇ .90
B1	.88	.25	8-32 UNC - 2B ∇ .33

DIMENSIONS ARE IN INCHES UNLESS OTHERWISE SPECIFIED, TOLERANCES ARE: NO DECIMAL PLACE: +/- 0.50 ONE DECIMAL PLACE: +/- 0.25 TWO DECIMAL PLACE: +/- 0.10 ANGULAR: +/- 5°	AUTHOR	DATE
	Robert Zondervan	5/3/2018
	TITLE	
	Blocks	
PROJECT		
JOVE - Fracture Apparatus Design and Protocol Optimization		
FIGURE	SCALE	SHEET
S3	3 : 1	3