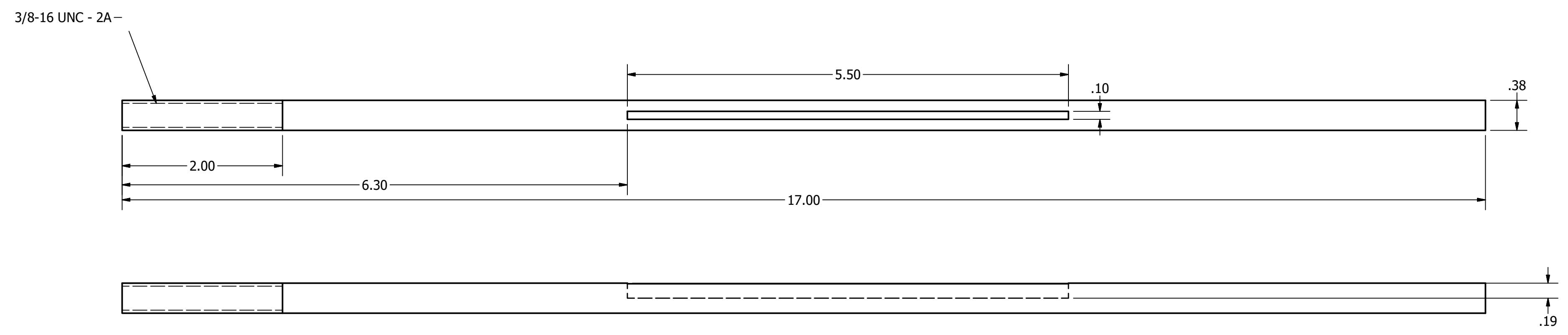
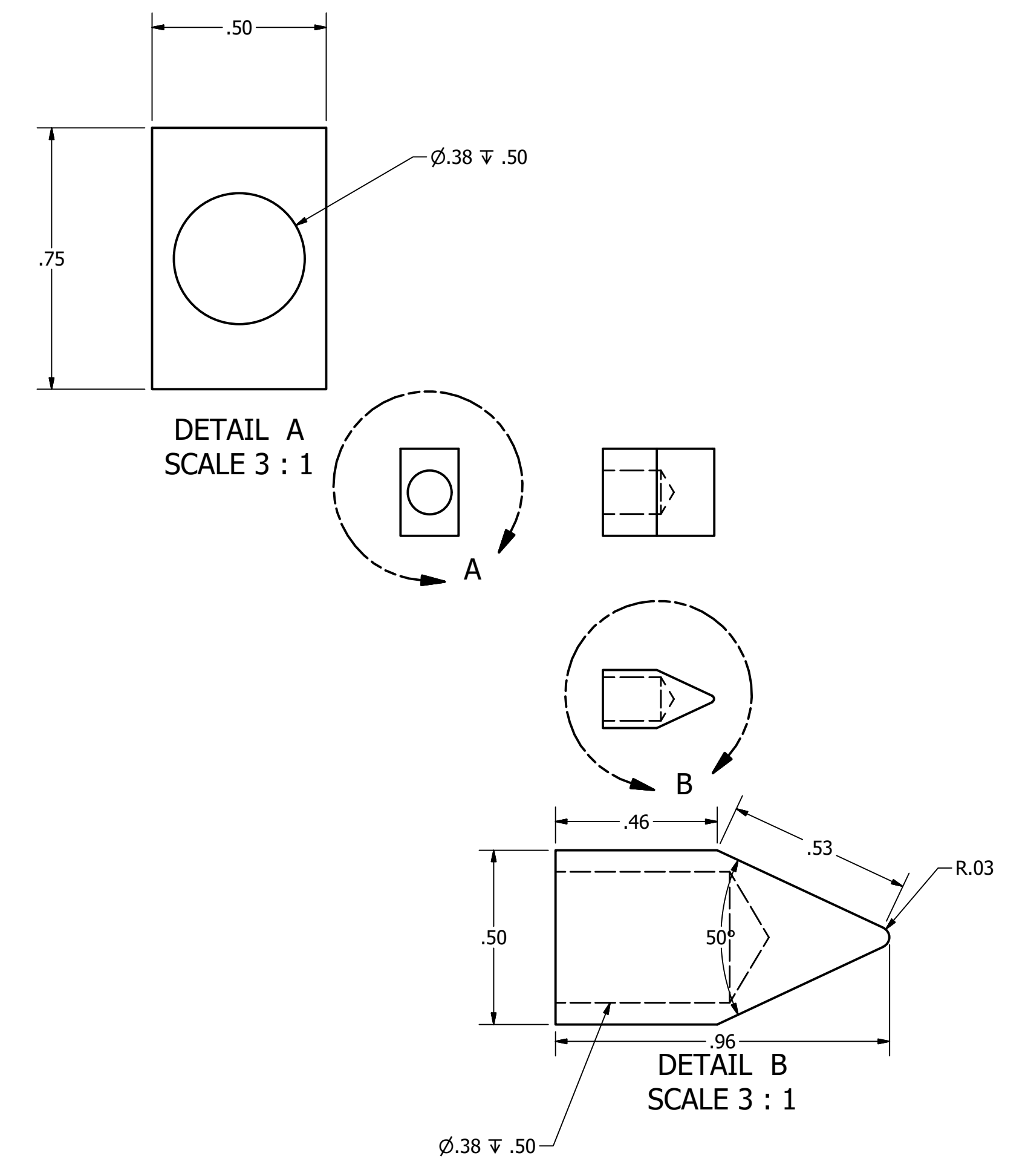


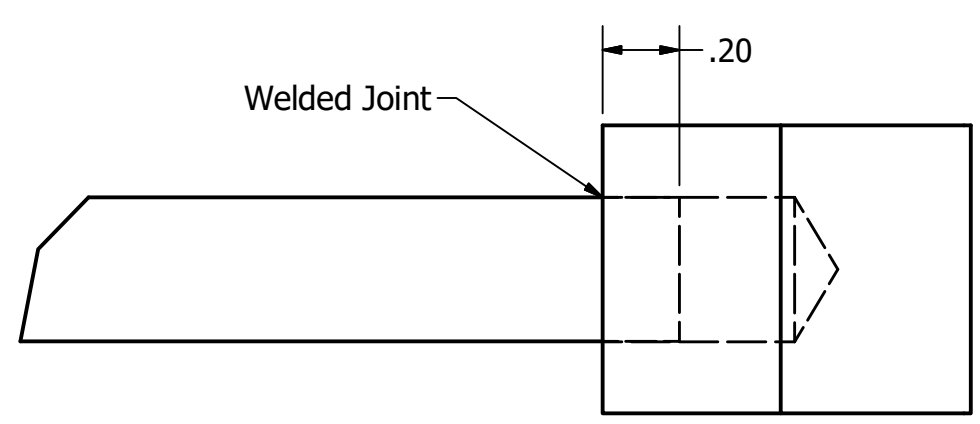
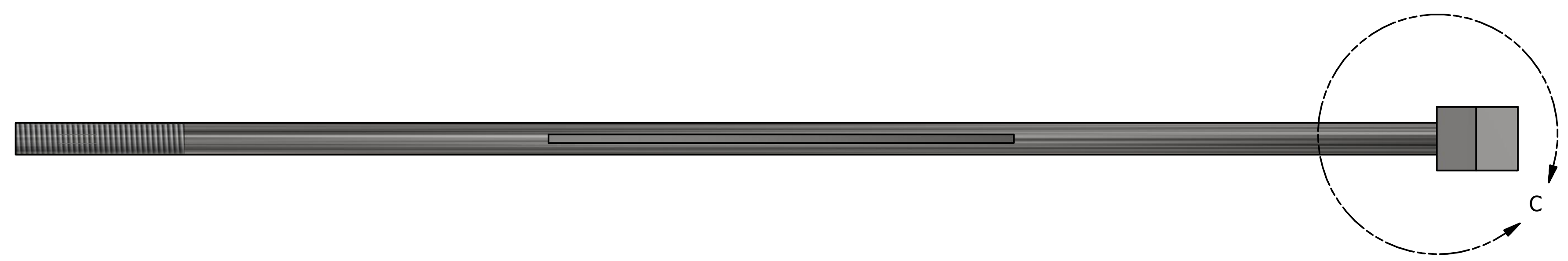
Rod, Ram--Shaft



Rod, Ram--Tip



Assembled Rod, Ram



DETAIL C
SCALE 2 : 1

DIMENSIONS ARE IN INCHES UNLESS OTHERWISE SPECIFIED, TOLERANCES ARE: NO DECIMAL PLACE: +/- 0.50 ONE DECIMAL PLACE: +/- 0.25 TWO DECIMAL PLACE: +/- 0.10 ANGULAR: +/- 5°	AUTHOR	DATE
	Robert Zondervan	5/3/2018
	TITLE	
	Rod, Ram	
PROJECT		
JOVE - Fracture Apparatus Design and Protocol Optimization		
FIGURE	SCALE	SHEET
S4	1 : 1	4