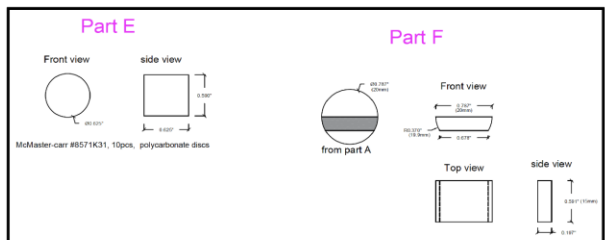
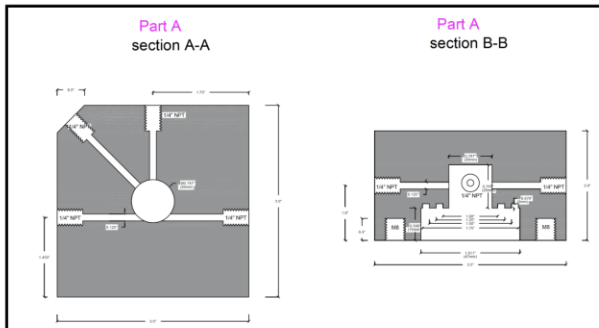
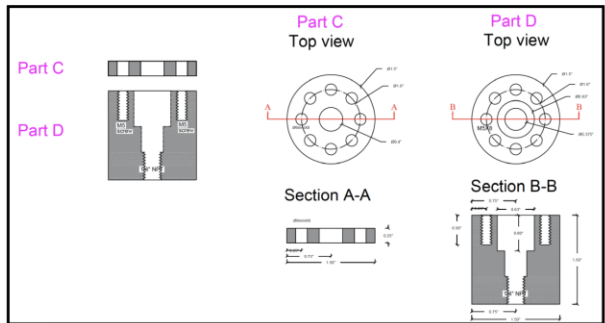
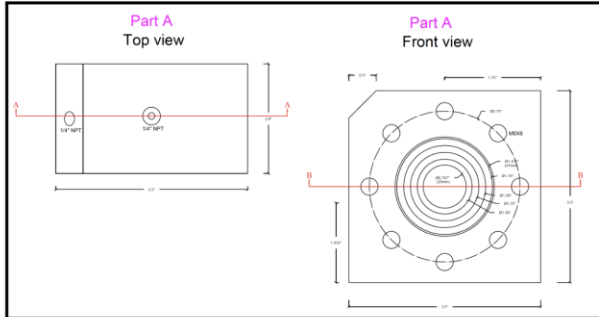
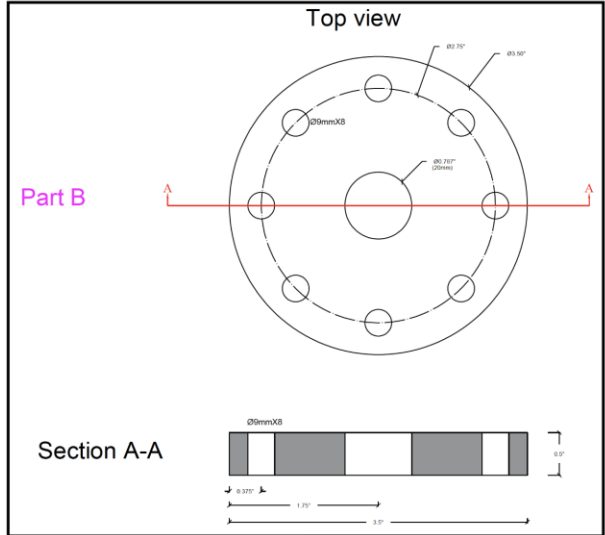
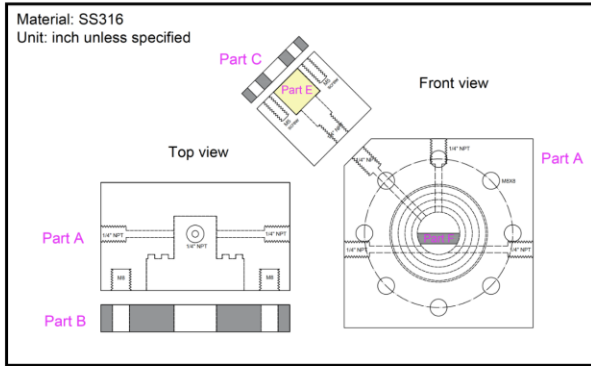


Supplemental Figure S1



McMaster-carr #8571K31, 10pcs, polycarbonate discs