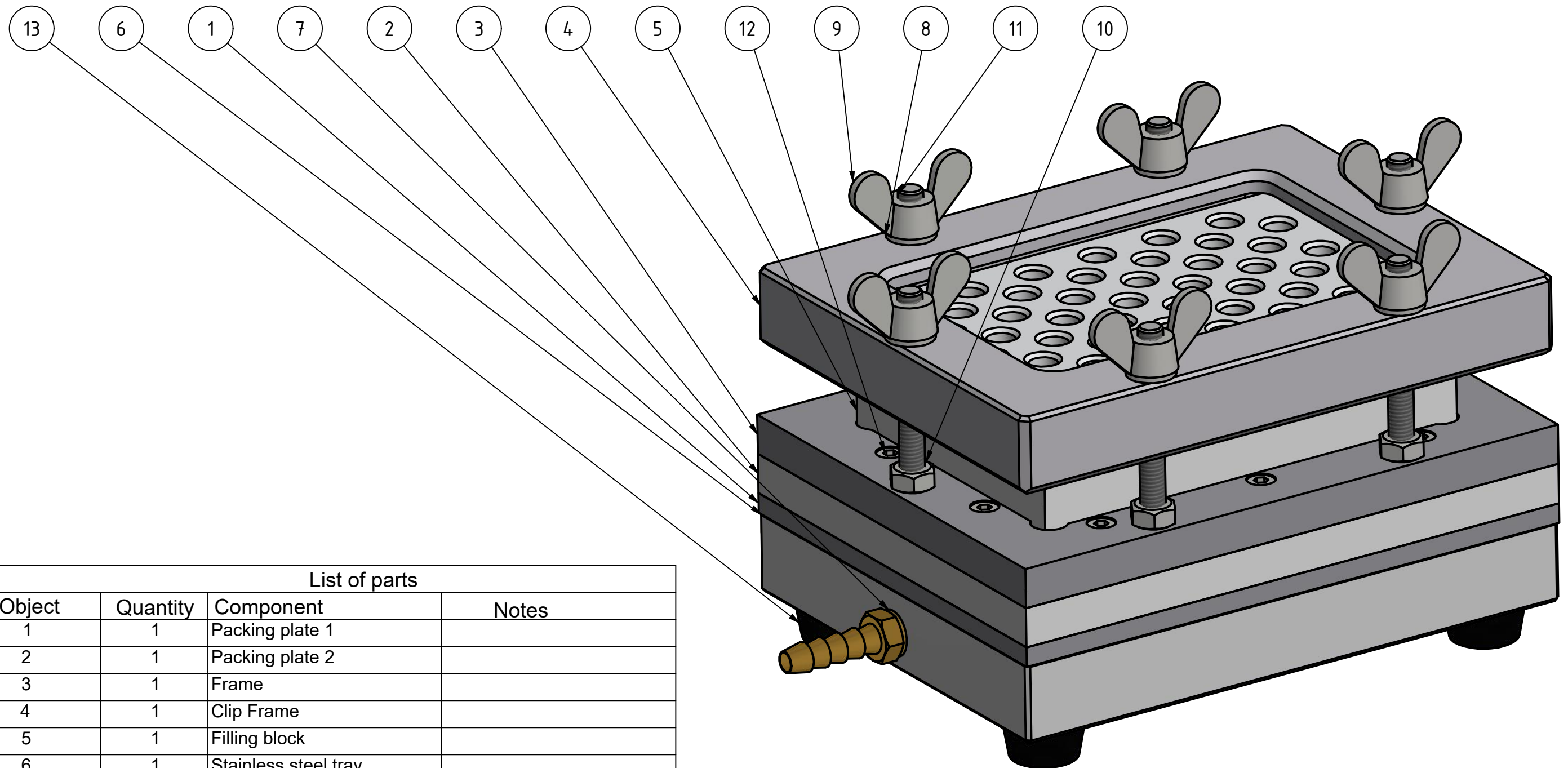


6 1 5 1 4 3 1 2 1 1



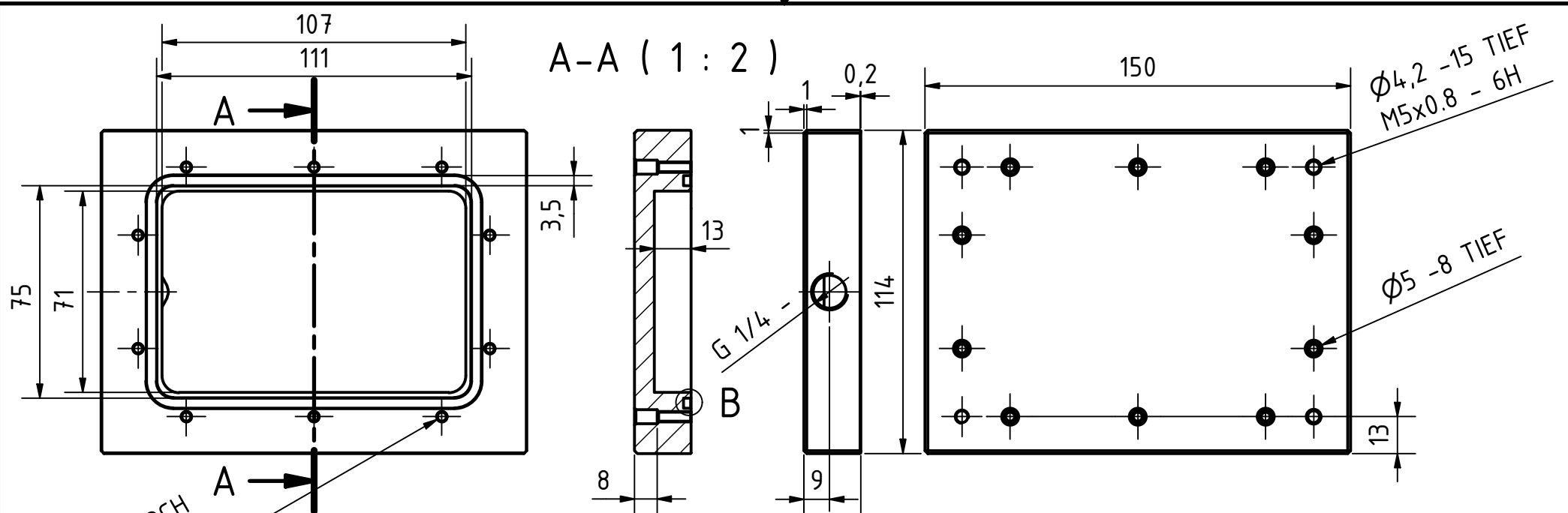
List of parts

Object	Quantity	Component	Notes
1	1	Packing plate 1	
2	1	Packing plate 2	
3	1	Frame	
4	1	Clip Frame	
5	1	Filling block	
6	1	Stainless steel tray	
7	1	hose nozzle from Parker with thread 125HBL 125HBL-4-2	Hose nozzle with thread
8	6	DIN 125 - A 6,4	Washer
9	6	DIN 315 - M6	wing nut
10	6	DIN 934 - M6	hexagon nut
11	6	Stud M6	
12	10	DIN 912 - M4 x 30	cylindrical head screw
13	4	Rubber base	
14	4	DIN 912 - M5 x 16	cylindrical head screw

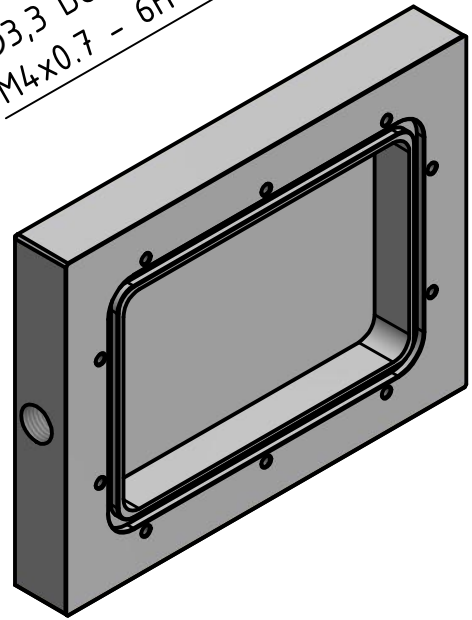
Reproduction for scientific use only, commercial use is not permitted. Copyright by Ralf Suren.

				Date	Name		
				Drawn	23.03.2021	R. Suren	
				Controlled			
				Norm			
				Institute of Inorganic Chemistry Kiel University		Filter block	
						1	
						A3	
Status	Changes	Date	Name				

6 1 5 1 4 3 1 2 1 1

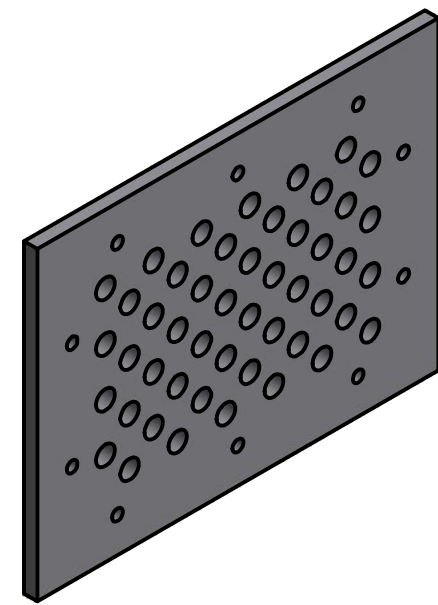
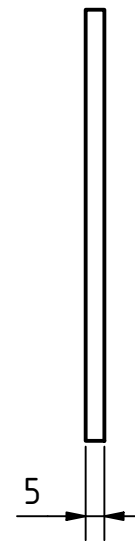
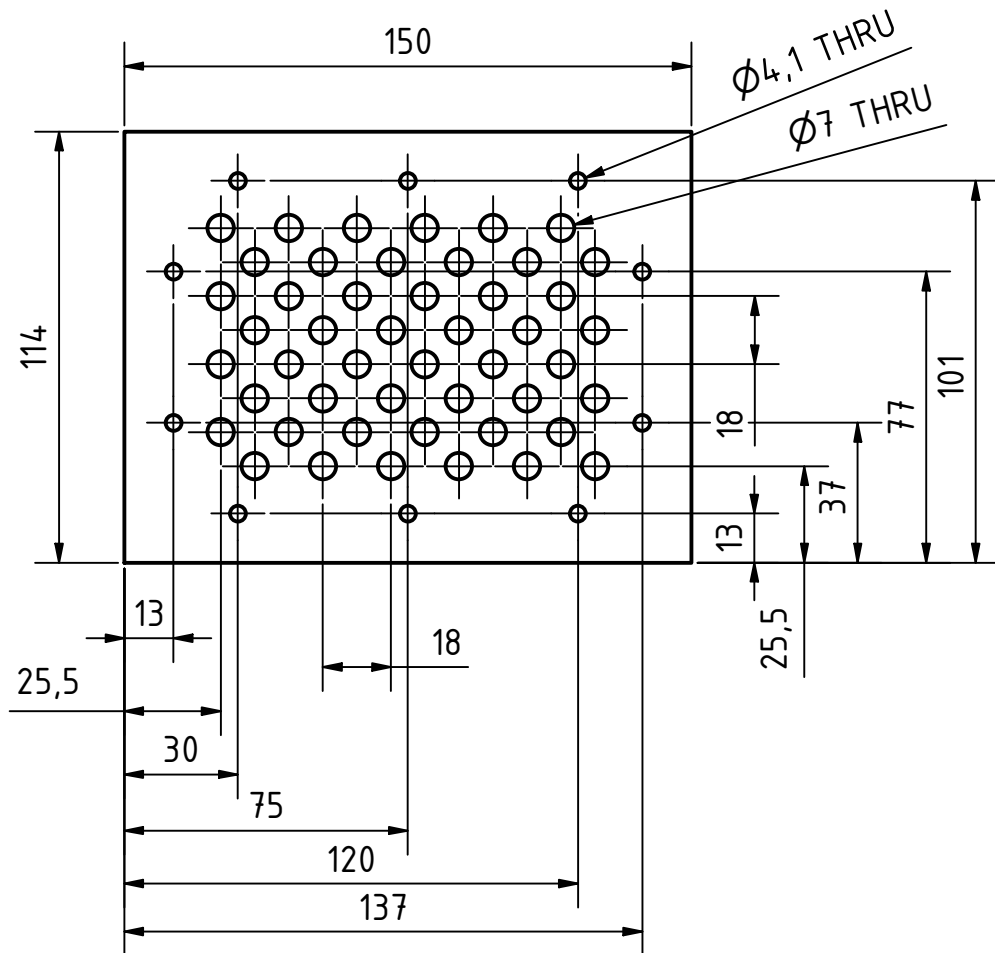


Ø3,3 DURCH  
M4x0.7 - 6H



Reproduction for scientific use only,  
commercial use is not permitted.  
Copyright by Ralf Suren.

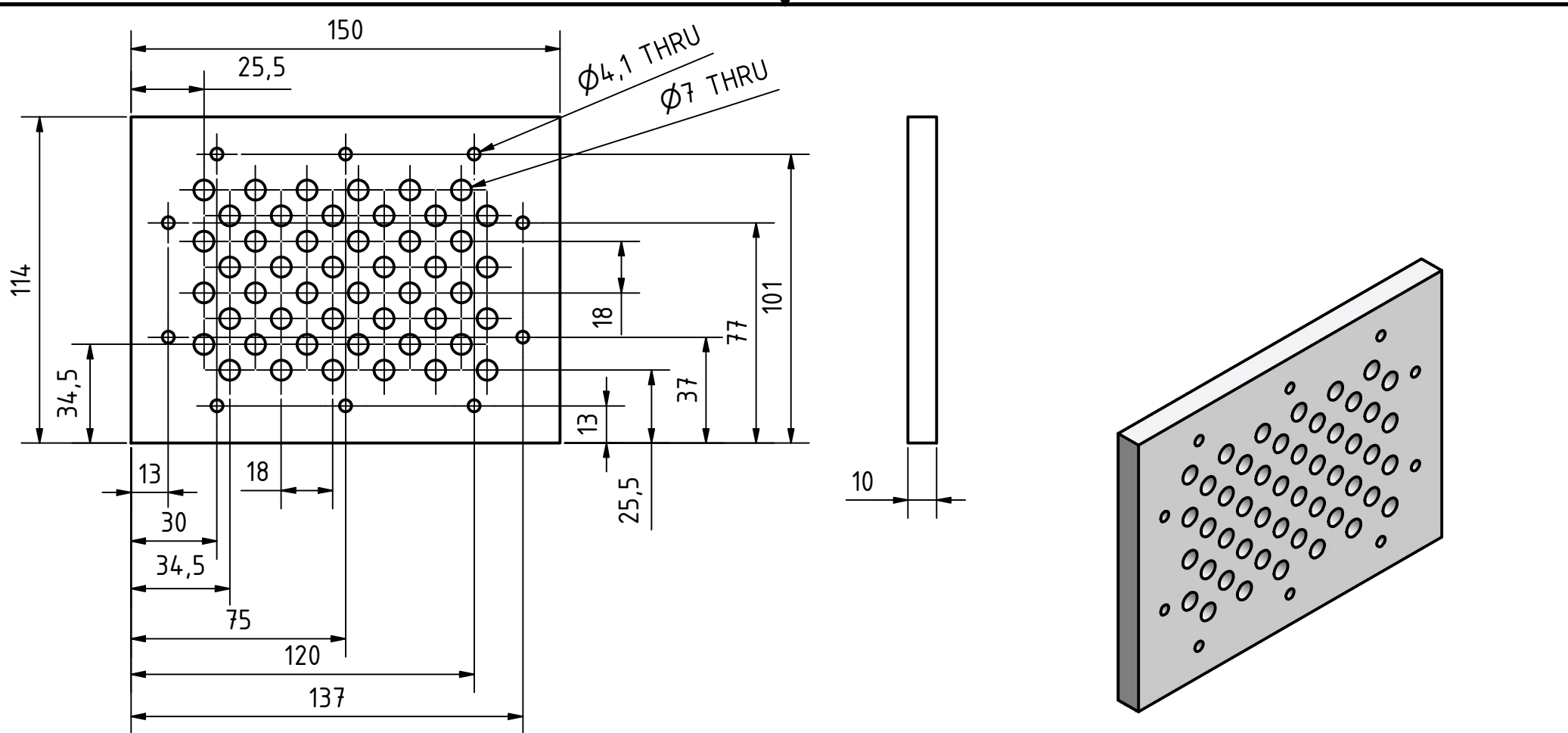
				Date	Name	Material: 1.4305		
				Drawn	19.06.2015			R. Suren
				Controlled				
				Norm				
				Institute of Inorganic Chemistry Kiel University		Stainless steel tray		
						1		
						A4		
Status	Changes	Date	Name					



Reproduction for scientific use only,  
commercial use is not permitted.  
Copyright by Ralf Suren.

				Date	Name	Material: 1.4571		
				Drawn	30.08.2006			R. Suren
				Controlled				
				Norm				
				Institute of Inorganic Chemistry Kiel University		Packing plate 1		
						1		
						A4		
Status	Changes	Date	Name					

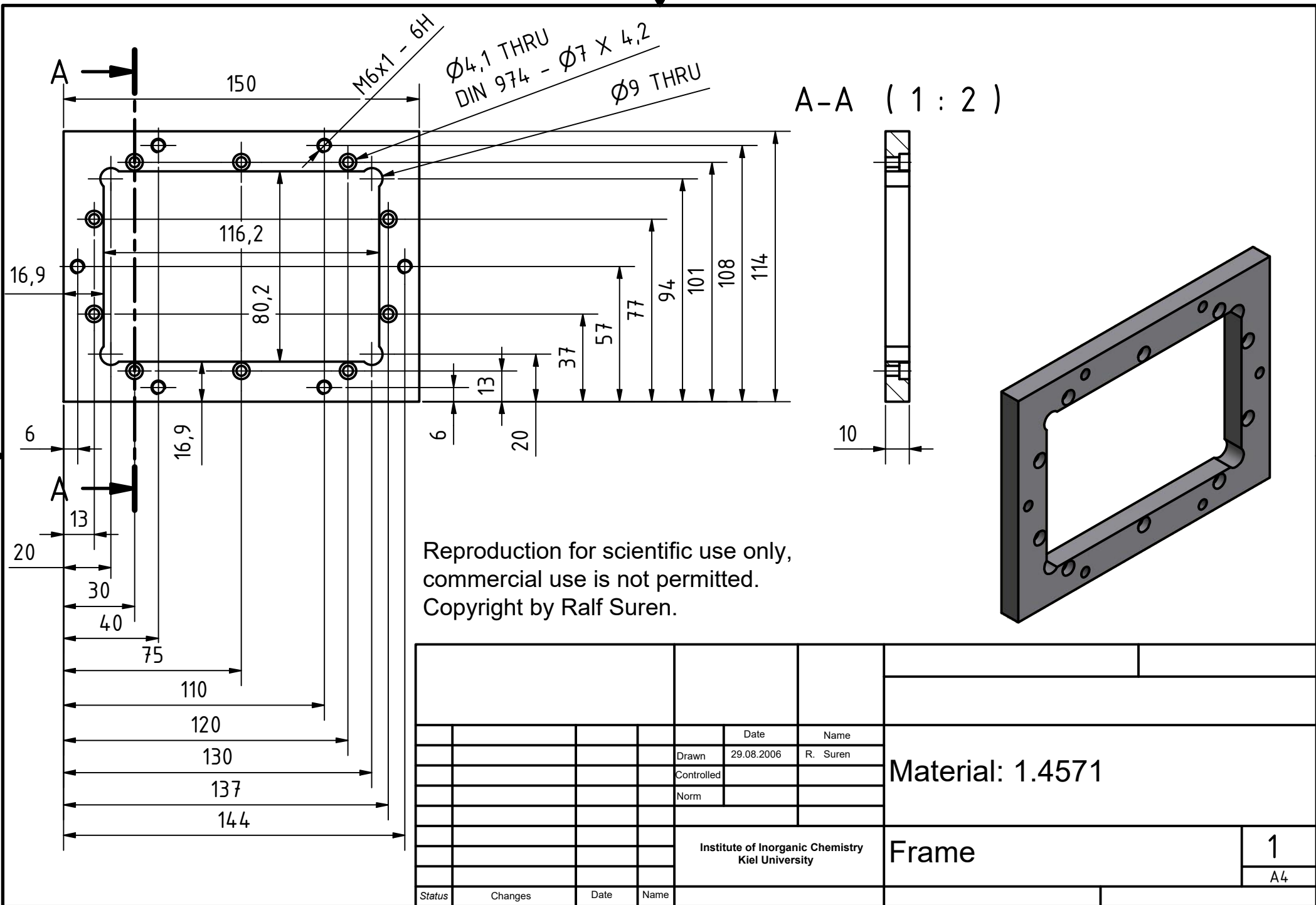




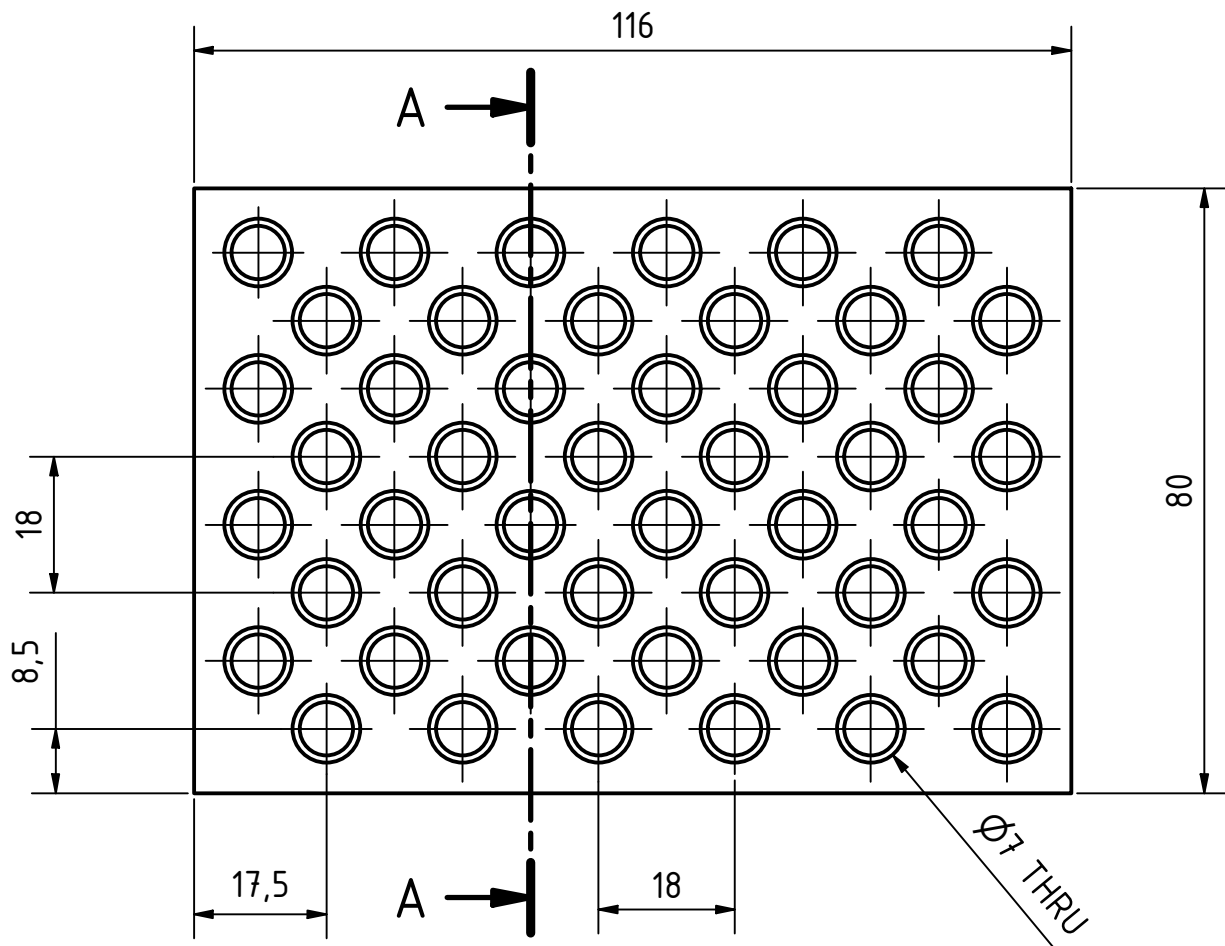
Reproduction for scientific use only,  
commercial use is not permitted.  
Copyright by Ralf Suren.

				Date	Name	Material: PTFE		
				Drawn	20.08.2006			R. Suren
				Controlled				
				Norm				
				Institute of Inorganic Chemistry Kiel University		Packing plate 2		
						1		
						A4		
Status	Changes	Date	Name					

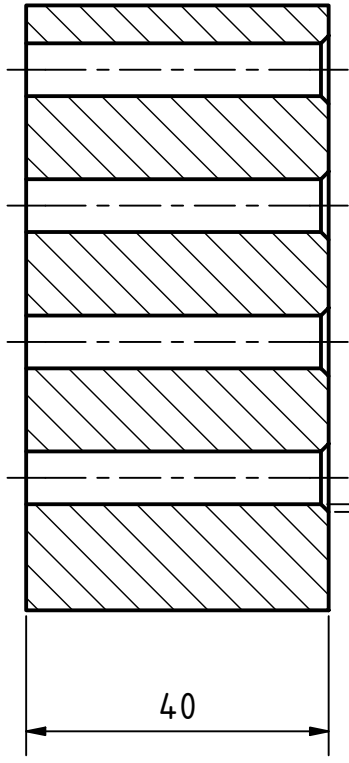




				Date	Name		Material: 1.4571
				Drawn	29.08.2006 R. Suren		
				Controlled			
				Norm			
				Institute of Inorganic Chemistry Kiel University		Frame	
						1	
						A4	
Status	Changes	Date	Name				



A-A (1:1)

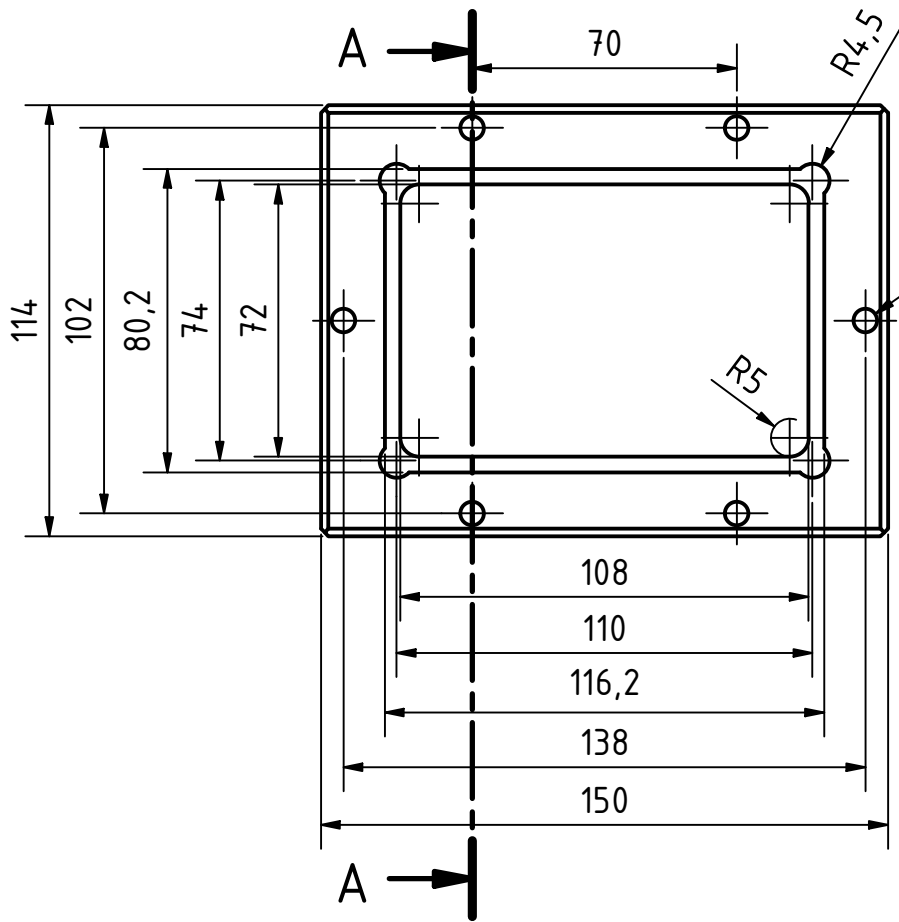


29.08.2006

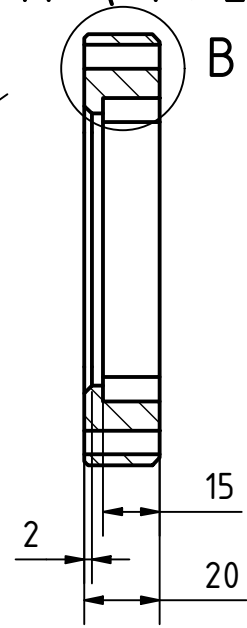
Reproduction for scientific use only,  
commercial use is not permitted.  
Copyright by Ralf Suren.

				Date	Name	Material: PTFE		
				Drawn	08.03.2017			R. Suren
				Controlled				
				Norm				
				Institute of Inorganic Chemistry Kiel University		Filling block		
						1		
						A4		
Status	Changes	Date	Name					

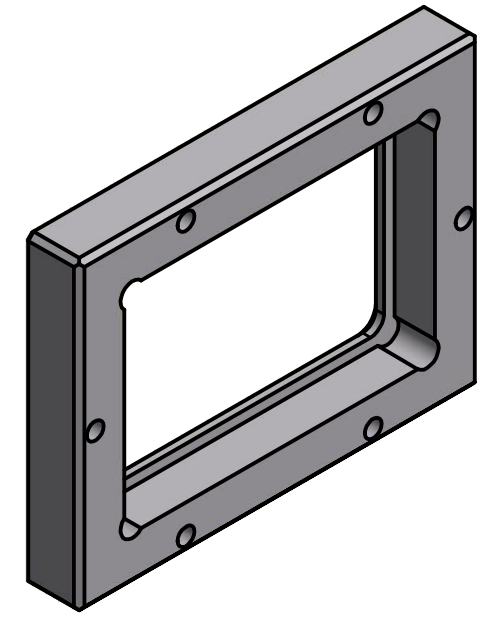
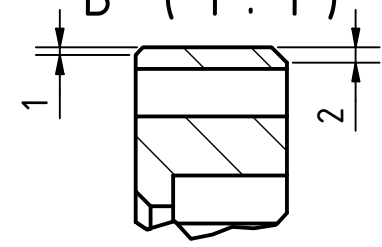




A-A (1:2)



B (1:1)



Reproduction for scientific use only,  
commercial use is not permitted.  
Copyright by Ralf Suren.

				Date	Name	Material: Aluminium		
				Drawn	12.02.2009			R. Suren
				Controlled				
				Norm				
				Institute of Inorganic Chemistry Kiel University		Clip frame		
						1		
						A4		
Status	Changes	Date	Name					

