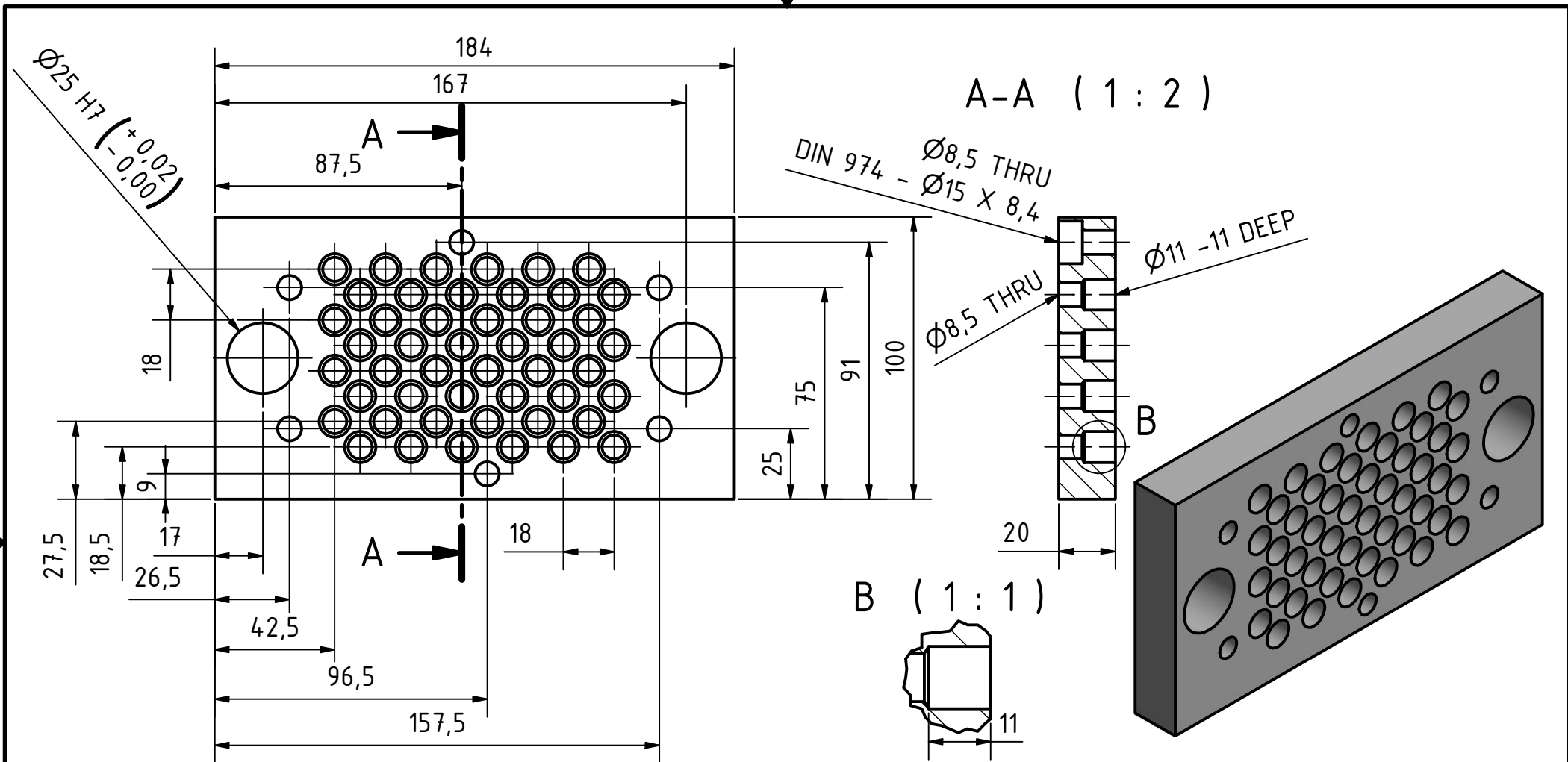


| List of parts | | | |
|---------------|----------|--------------------|------------------------|
| Object | Quantity | Component | Notes |
| 1 | 1 | Ground plate | |
| 2 | 48 | guide pin | |
| 3 | 1 | Head plate | |
| 4 | 1 | Steering plate | |
| 5 | 1 | Sample holder | |
| 6 | 48 | Pressure piece | |
| 7 | 2 | Flanged washer | |
| 8 | 48 | Teflon insert | |
| 9 | 48 | Disc | |
| 10 | 2 | DIN 933 - M12 x 60 | hexagon head screw |
| 11 | 2 | DIN 912 - M6 x 12 | cylindrical head screw |
| 12 | 48 | Feder VD-198 | Fa. Gutekunst |
| 13 | 6 | DIN 912 - M8 x 30 | cylindrical head screw |

| | | | | | |
|--------|---------|------------|------------|---|--|
| | | | | | |
| | | | | | |
| | | Date | Name | | |
| | | Drawn | 03.02.2023 | R. Suren | |
| | | Controlled | | | |
| | | Norm | | | |
| | | | | Institute of Inorganic Chemistry Kiel University | |
| | | | | | |
| | | | | Reactor for 48 reactions | |
| | | | | | |
| Status | Changes | Date | Name | | |

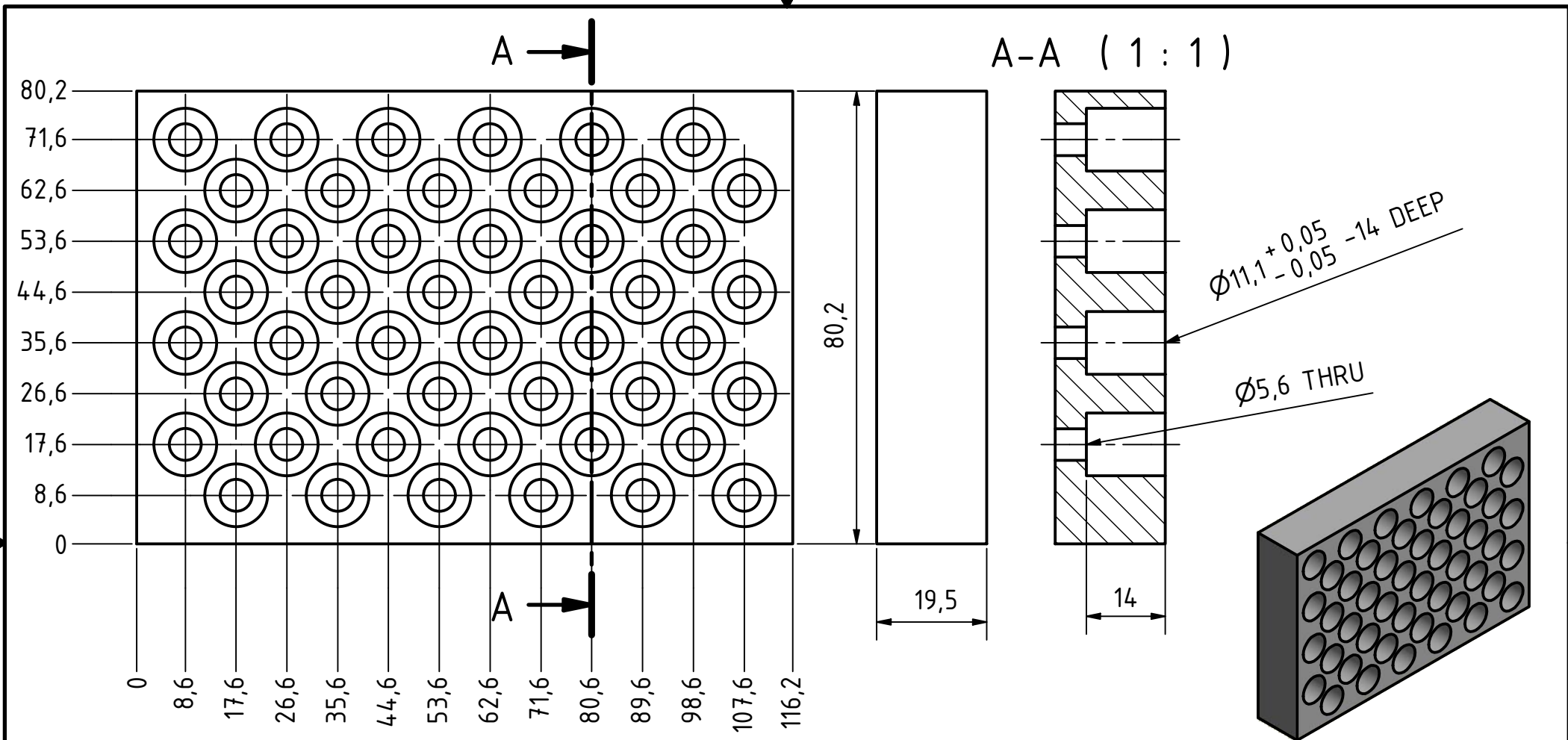
Reproduction for scientific use only,
 commercial use is not permitted.
 Copyright by Ralf Suren.

1
 A3



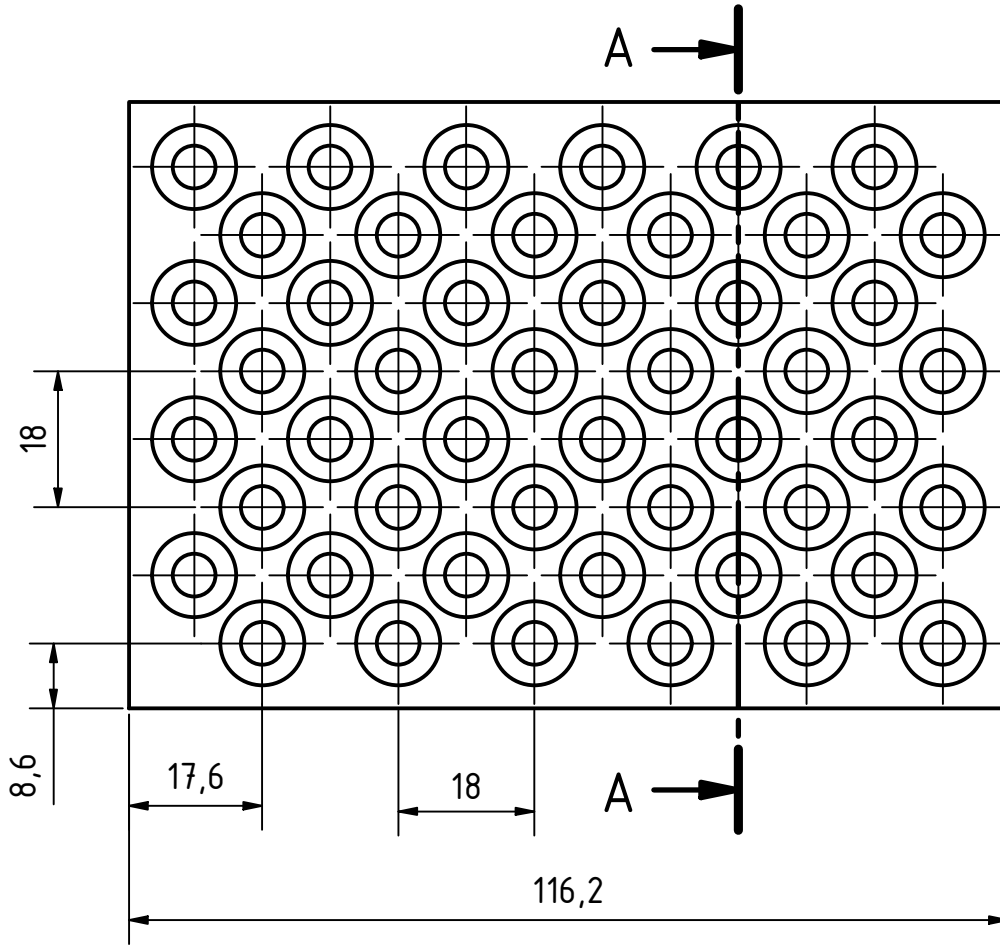
| | | | | | | | | |
|--------|---------|------|------|---|------------|-----------------------|----------------|----------|
| | | | | | | | | |
| | | | | | | | | |
| | | | | Date | Name | Material: AlZnMgCu1,5 | | |
| | | | | Drawn | 17.07.2006 | | | R. Suren |
| | | | | Controlled | | | | |
| | | | | Norm | | | Steering plate | |
| | | | | Institute of Inorganic Chemistry Kiel University | | 1 | | |
| Status | Changes | Date | Name | | | A4 | | |

Reproduction for scientific use only,
commercial use is not permitted.
Copyright by Ralf Suren.

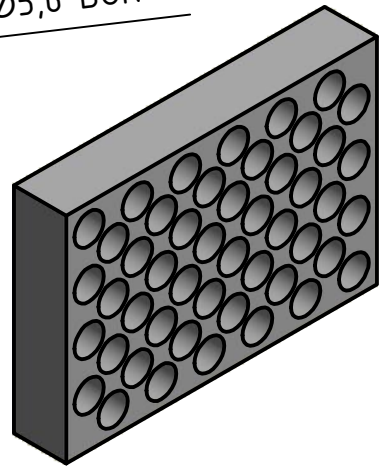
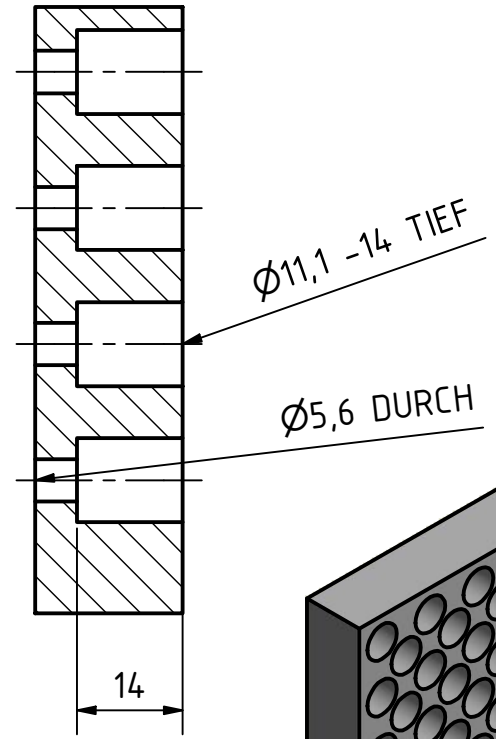


| | | | | | | | | |
|--------|---------|------|------|---|------------|------------------|--|----------|
| | | | | | | | | |
| | | | | | | | | |
| | | | | Date | Name | Material: 1.4301 | | |
| | | | | Drawn | 04.12.2006 | | | R. Suren |
| | | | | Controlled | | | | |
| | | | | Norm | | | | |
| | | | | Institute of Inorganic Chemistry Kiel University | | Sample Plate | | |
| | | | | | | 1 | | |
| | | | | | | A4 | | |
| Status | Changes | Date | Name | | | | | |

Reproduction for scientific use only,
commercial use is not permitted.
Copyright by Ralf Suren.



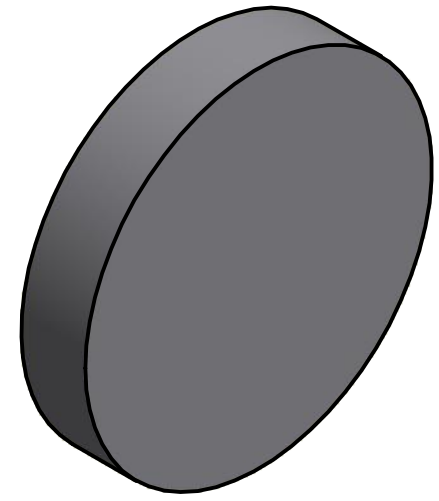
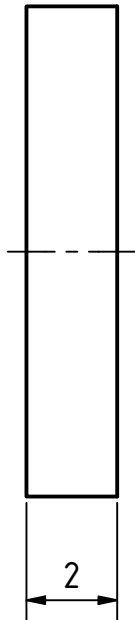
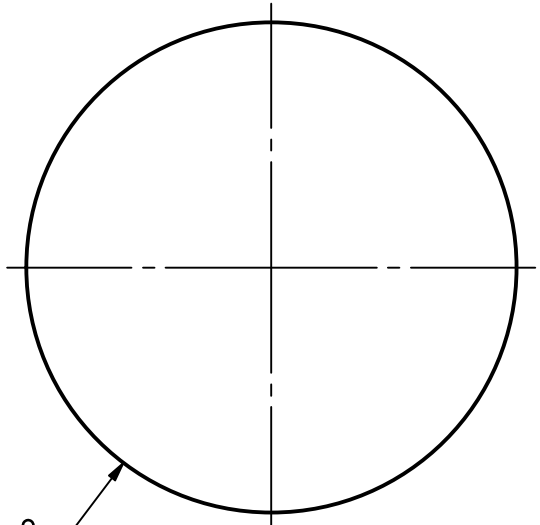
A-A (1 : 1)



Reproduction for scientific use only,
commercial use is not permitted.
Copyright by Ralf Suren.

| | | | | | | | | |
|--------|---------|------|------|---|------------|------------------|--|----------|
| | | | | | | | | |
| | | | | | | | | |
| | | | | Date | Name | Material: 1.4301 | | |
| | | | | Drawn | 04.12.2006 | | | R. Suren |
| | | | | Controlled | | | | |
| | | | | Norm | | | | |
| | | | | Institute of Inorganic Chemistry Kiel University | | Sample Plate 1 | | |
| | | | | | | | | |
| Status | Changes | Date | Name | | | 1 | | |
| | | | | | | A4 | | |

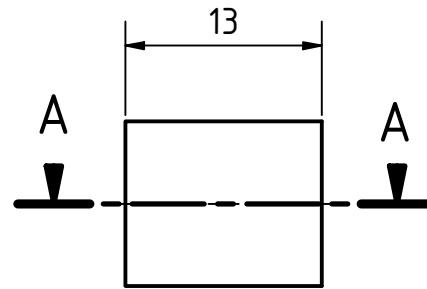
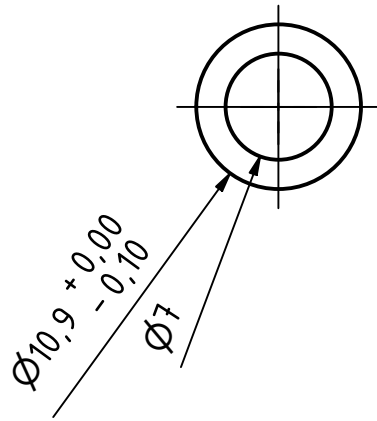




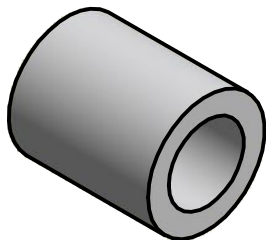
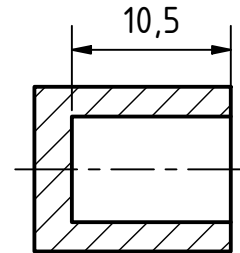
Reproduction for scientific use only,
commercial use is not permitted.
Copyright by Ralf Suren.

| | | | | | | | | |
|--------|---------|------|------|---|------------|------------------|--|----------|
| | | | | | | | | |
| | | | | | | | | |
| | | | | Date | Name | Material: 1.4305 | | |
| | | | | Drawn | 17.10.2006 | | | R. Suren |
| | | | | Controlled | | | | |
| | | | | Norm | | | | |
| | | | | Institute of Inorganic Chemistry Kiel University | | Disc | | |
| | | | | | | 1 | | |
| | | | | | | A4 | | |
| Status | Changes | Date | Name | | | | | |



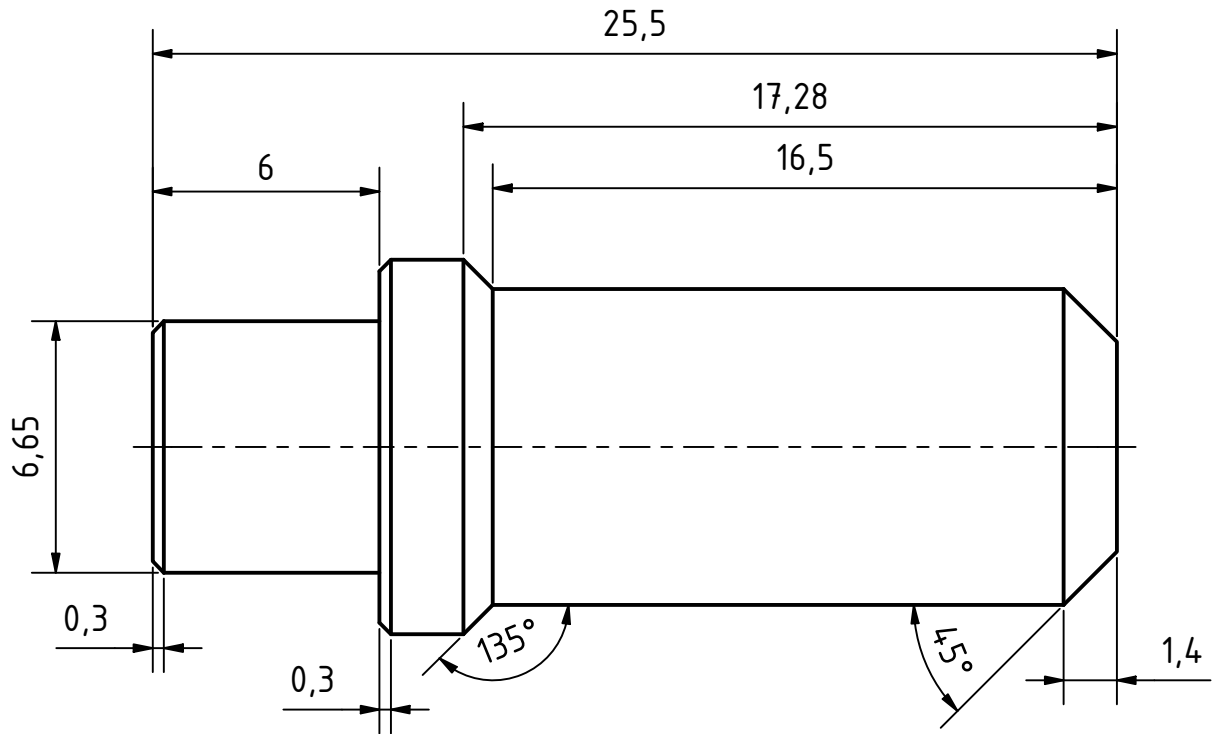
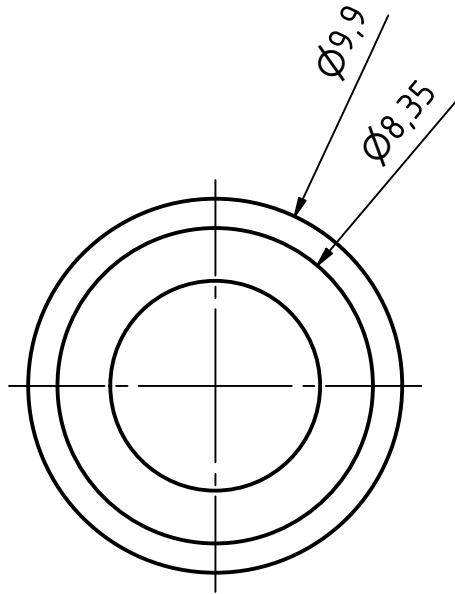


A-A (2 : 1)



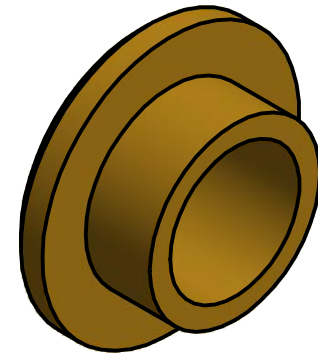
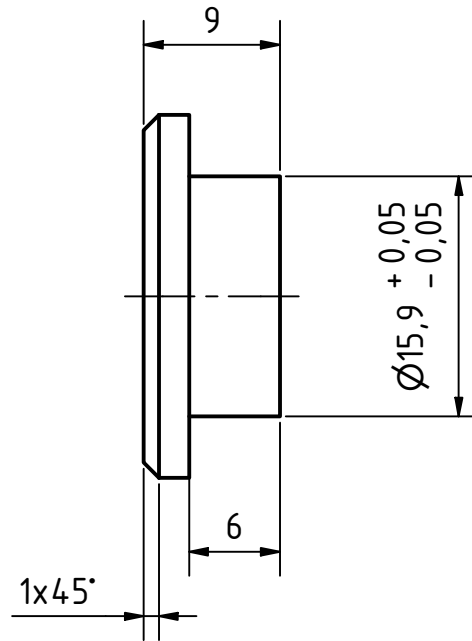
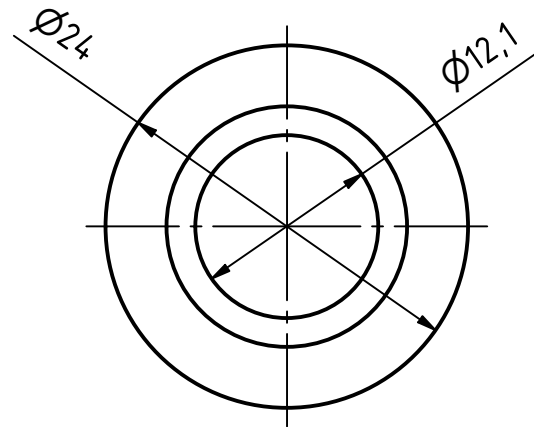
Reproduction for scientific use only,
commercial use is not permitted.
Copyright by Ralf Suren.

| | | | | | | | | |
|--------|---------|------|------|---|------------|----------------|--|----------|
| | | | | | | | | |
| | | | | | | | | |
| | | | | Date | Name | Material: PTFE | | |
| | | | | Drawn | 17.10.2006 | | | R. Suren |
| | | | | Controlled | | | | |
| | | | | Norm | | | | |
| | | | | Institute of Inorganic Chemistry Kiel University | | Teflon insert | | |
| Status | Changes | Date | Name | | | 1 | | |
| | | | | | | A4 | | |



Reproduction for scientific use only,
commercial use is not permitted.
Copyright by Ralf Suren.

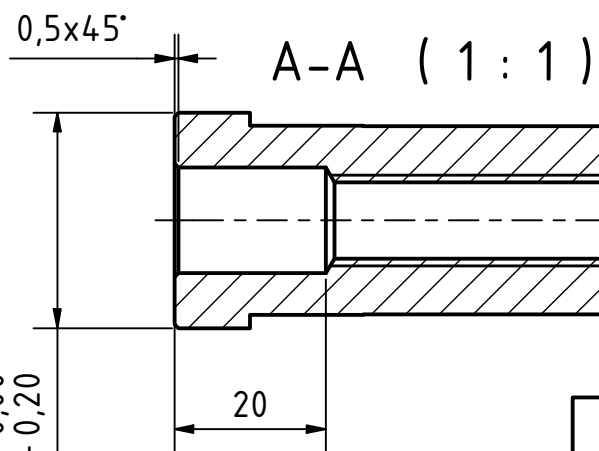
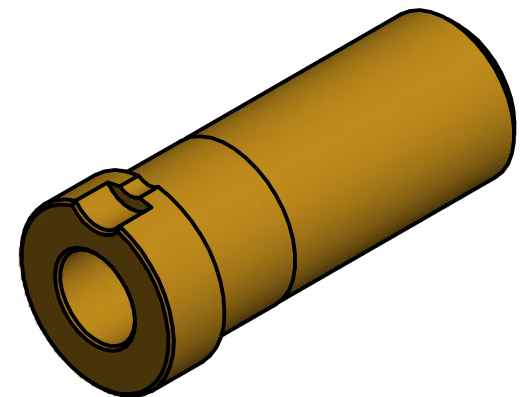
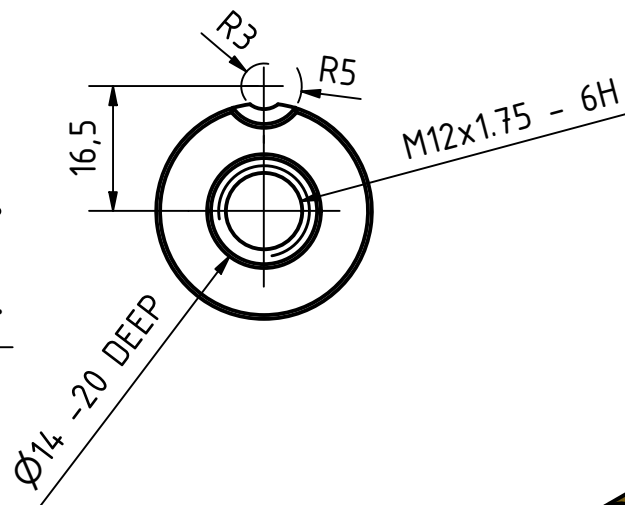
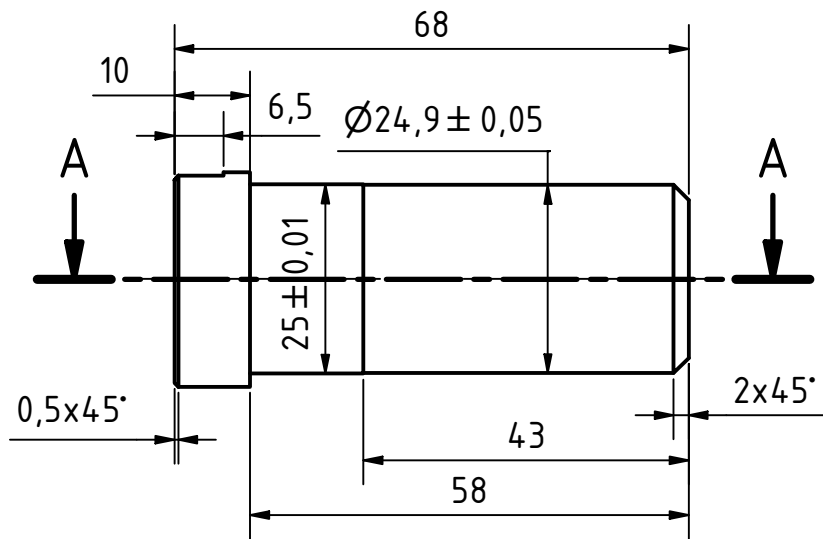
| | | | | | | | | |
|--------|---------|------|------|---|------------|-----------------|--|----------|
| | | | | | | | | |
| | | | | | | | | |
| | | | | Date | Name | Material: Brass | | |
| | | | | Drawn | 03.05.2007 | | | R. Suren |
| | | | | Controlled | | | | |
| | | | | Norm | | | | |
| | | | | Institute of Inorganic Chemistry Kiel University | | Pressure piece | | |
| | | | | | | 1 | | |
| | | | | | | A4 | | |
| Status | Changes | Date | Name | | | | | |



Reproduction for scientific use only,
commercial use is not permitted.
Copyright by Ralf Suren.

| | | | | | | | | |
|--------|---------|------|------|---|------------|-----------------|--|----------|
| | | | | | | | | |
| | | | | | | | | |
| | | | | Date | Name | Material: Brass | | |
| | | | | Drawn | 13.09.2006 | | | R. Suren |
| | | | | Controlled | | | | |
| | | | | Norm | | | | |
| | | | | Institute of Inorganic Chemistry Kiel University | | Flange washer | | |
| | | | | | | 1 | | |
| | | | | | | A4 | | |
| Status | Changes | Date | Name | | | | | |





| | | | | | | | | |
|--------|---------|------|------|---|------------|-----------------|--|----------|
| | | | | | | | | |
| | | | | | | | | |
| | | | | Date | Name | Material: Brass | | |
| | | | | Drawn | 31.08.2006 | | | R. Suren |
| | | | | Controlled | | | | |
| | | | | Norm | | | | |
| | | | | Institute of Inorganic Chemistry Kiel University | | guide pin | | |
| | | | | | | 1 | | |
| | | | | | | A4 | | |
| Status | Changes | Date | Name | | | | | |

Reproduction for scientific use only,
commercial use is not permitted.
Copyright by Ralf Suren.