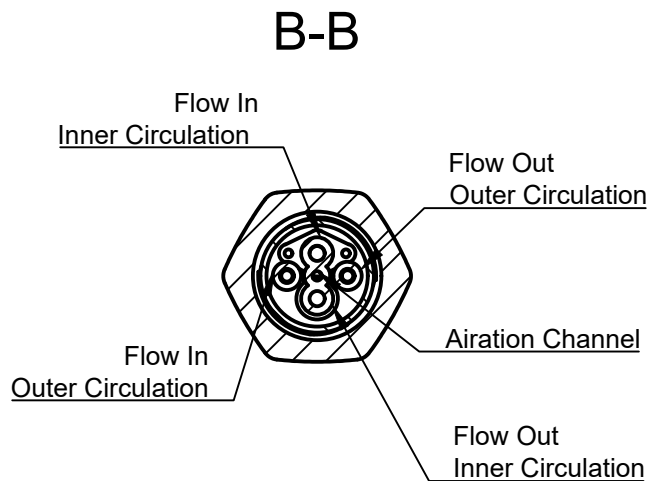
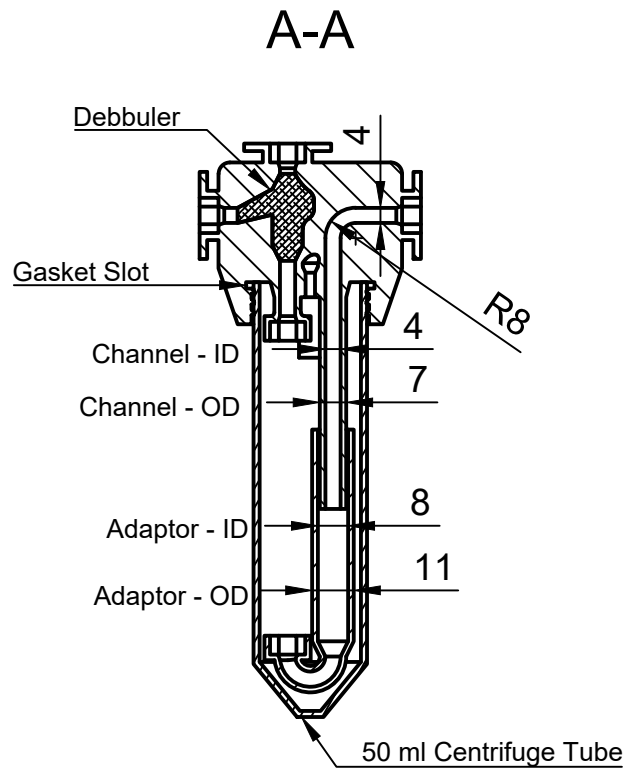
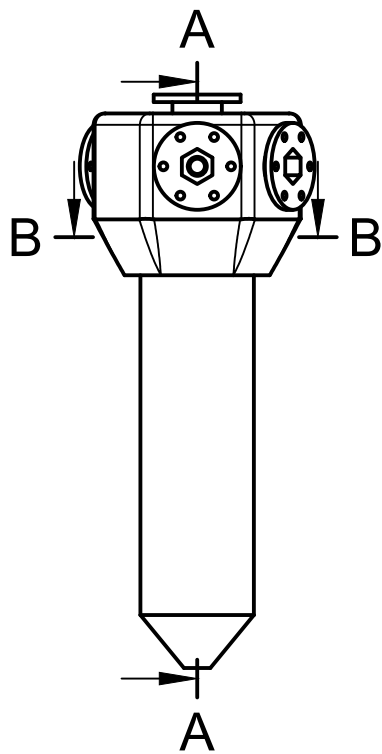
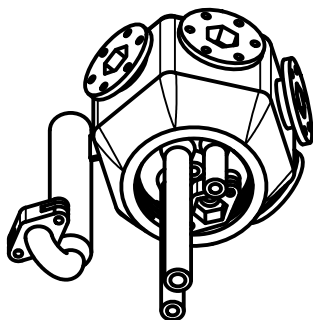
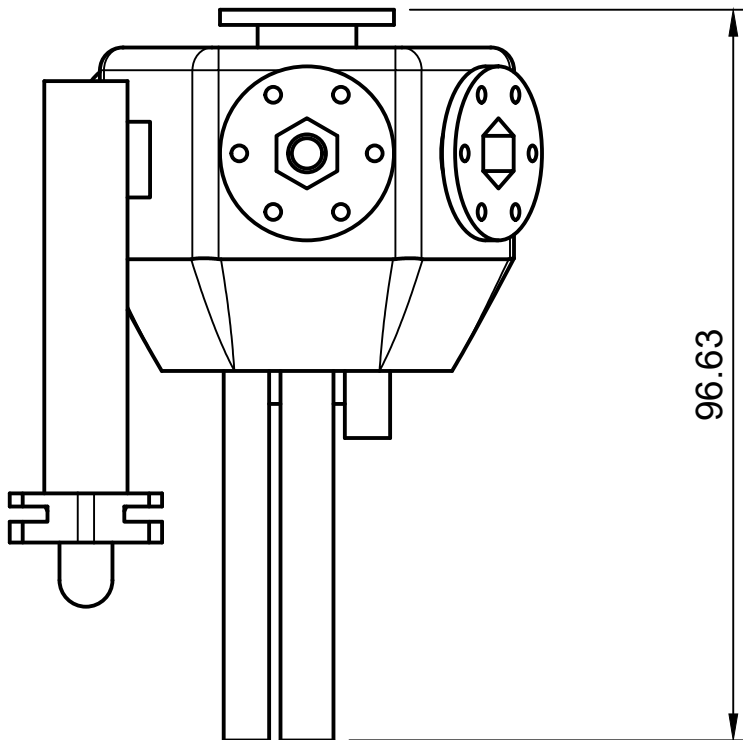
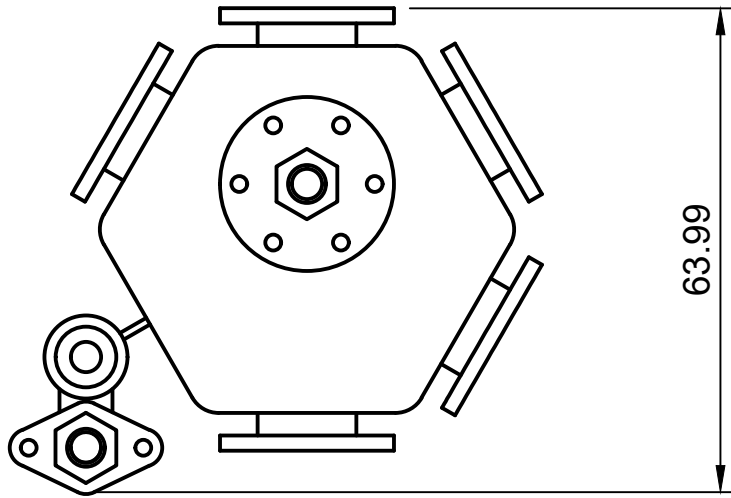
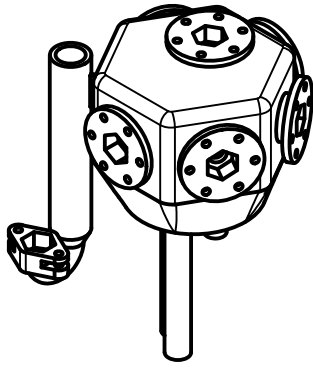


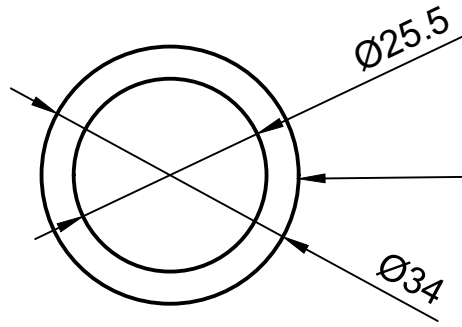
Dept. FHMS	Technical reference N/A	Created by Rolando Szilveszter Matos	Approved by Dr Paola Campagnolo	
<b>Constructed EasyFlow</b> <b>Ratio 1:2</b> <b>Measurements</b> <b>represented in: [mm]</b>		Document type Supplementary Information	Document status Completed	
		Title EasyFlow System	DWG No. EasyFlow_DWG001	
		Rev. 6	Date of issue 20/01/2022	Sheet 1/4



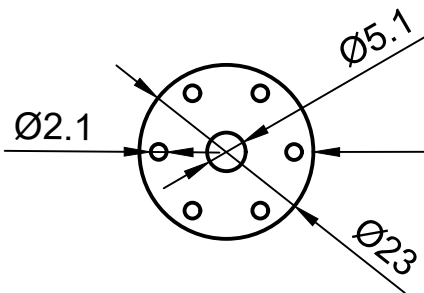
Dept. FHMS	Technical reference N/A	Created by Rolando Szilveszter Matos	Approved by Dr Paola Campagnolo
<b>Section View</b> <b>Ratio 1:2</b> <b>Measurements</b> <b>represented in: [mm]</b>		Document type Supplementary Information	Document status Completed
		Title EasyFlow System	DWG No. EasyFlow_DWG001
Rev. 6	Date of issue 20/01/2022	Sheet 2/4	



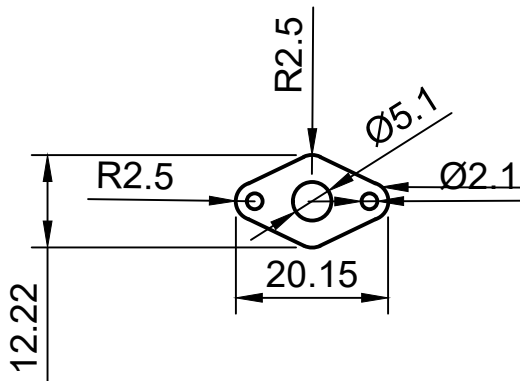
Dept. FHMS	Technical reference N/A	Created by Rolando Szilveszter Matos	Approved by Dr Paola Campagnolo	
<b>EasyFlow Printout</b> <b>Ratio 1:1</b> <b>Measurements</b> <b>represented in: [mm]</b>		Document type Supplementary Information	Document status Completed	
		Title EasyFlow System	DWG No. EasyFlow_DWG001	
		Rev. 6	Date of issue 20/01/2022	Sheet 3/4



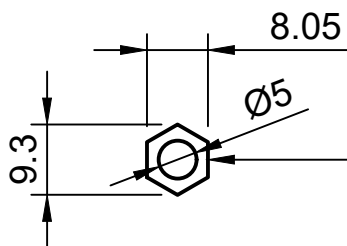
Centrifuge tube Seal  
(Seal Type-4)



Seal Type-1 Gasket/Washer



Seal Type-2 Gasket/Washer



M5 Hex Nut Gasket  
(Seal Type-3)

Dept. FHMS	Technical reference N/A	Created by Rolando Szilveszter Matos	Approved by Dr Paola Campagnolo
<b>Sealing Components</b> <b>Ratio 1:1</b> <b>Measurements</b> <b>represented in: [mm]</b>	Document type Supplementary Information	Document status Completed	
	Title EasyFlow System	DWG No. EasyFlow_DWG001	
	Rev. 6	Date of issue 20/01/2022	Sheet 4/4